

Pelican Fort Mini pathway luminaires is a special purpose outdoor luminaire, integral model, totally weather proof aesthetically contoured. Improved long lasting protection against ingress of dust / moisture / insects inside optical compartment with top opening facility for maintenance.

Product Description

- Luminaire comprises of specially contoured spun aluminium body featuring high strength and anti corrosion.
- Non yellowing, UV stabilised, translucent V acrylic diffuser, Clear V acrylic diffuser / Clear V PC diffuser
- EPDM gasket.
- Suitable for mounting to internally threaded pipe of designation M30.
- Cable entries for through-wiring of mains supply cable.
- Prewired with E27 holder and suitable for operation on 240V, 50Hz single phase ac supply.



Product Benefits

- Top cover opening facility for easy maintenance.
- Functionally versatile, strong and stable.
- Corrosion resistant and easy maintenance.
- Quick installation and low assembly costs.

Area of Application

Gardens, Smaller Roadways, Private driveways, Residential Area Lighting, Courtyards, Public area lighting like parks & Squares

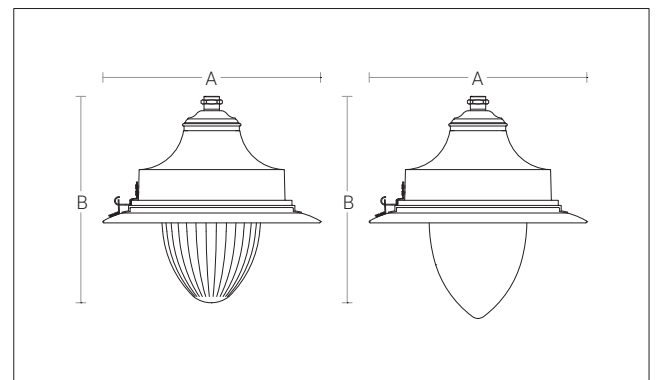
Available Finish

Pure polyester powder coated
 RAL 9004 Black
 RAL 9007 Grey aluminium
 RAL 7016 Anthracite grey
 Graphite grey

Diffuser Options



A8 - Translucent Acrylic A9 - Clear Acrylic A12 - Clear Polycarbonate



ID	Wattage	A	B
24899 A8/A9/A12	E27	Ø425	407 / 437

Note : A8-V Diffuser Translucent / A9-V Diffuser Clear / A12-V Diffuser Clear (polycarbonate)

Pelican Fort Mini pathway luminaires is a special purpose outdoor luminaire, integral model, totally weather proof aesthetically contoured. Improved long lasting protection against ingress of dust / moisture / insects inside optical compartment with top opening facility for maintenance.

Product Description

- Luminaire comprises of specially contoured spun aluminium body featuring high strength and anti corrosion.
- Non yellowing, UV stabilised, Clear V acrylic diffuser / Clear V PC diffuser
- EPDM gasket.
- Luminaire integrated with 30W LED.
- Suitable for mounting to internally threaded pipe of designation M30.
- Cable entries for through-wiring of mains supply cable.
- Integral constant current power supply
- Suitable for operation on 240V, 50Hz single phase ac supply.
- Ordering guide : KL-25188-CCT (Colour Temperature)
- Available CCT : 2700K, 3000K, 4000K, 5700K



Product Benefits

- High luminous efficiency at reduced wattage.
- Functionally versatile, strong and stable.
- Corrosion resistant and easy maintenance.
- Quick installation and low assembly costs.
- Sustainable LED technology offers durability and optimal light output with low power consumption

Area of Application

Gardens, Smaller Roadways, Private driveways, Residential Area Lighting, Courtyards, Public area lighting like parks & Squares

Available Finish

Pure polyester powder coated
RAL 9004 Black
RAL 9007 Grey aluminium
RAL 7016 Anthracite grey
Graphite grey

Diffuser Options



A9 - Clear Acrylic

A12 - Clear Polycarbonate





ISKCON TEMPLE, BENGALURU



Technical Specifications

General

ID	: 25188
System Wattage	: 30W LED
Driver Integral	: Constant Current
Operating Voltage	: 100-277Vac
Operating Temperature	: -15°C~+50°C

Light Source

Light Source	: LUMILEDS / OSRAM
CRI (Ra)	: >70
LED Colour Temperature	: 2700K / 3000K / 4000K / 5700K

Physical

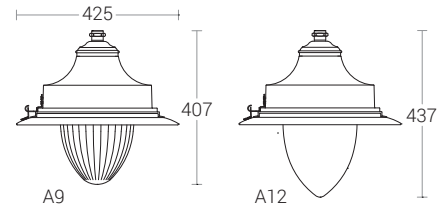
Body	: Spun Aluminium
Diffuser	: Clear acrylic (A9) / Clear Polycarbonate (A12)
Mounting	: Suitable for mounting to M30
Finish	: Powder coated RAL 9004 Black RAL 9007 Grey aluminium RAL 7016 Anthracite grey Graphite grey

Driver

Power Supply	: Integral
Input Voltage	: 230 - 240Vac
Frequency	: 50-60Hz
Power Factor	: >0.95
THD	: <10%
Surge Protection	: 4KV
Efficiency	: >85%

Optical Performance

Optical Distribution	: Type II
----------------------	-----------



Pelican Fort Mini pathway luminaires is a special purpose outdoor luminaire, integral model, totally weather proof aesthetically contoured. Improved long lasting protection against ingress of dust / moisture / insects inside optical compartment with top opening facility for maintenance.

Product Description

- Luminaire comprises of specially contoured spun aluminium body featuring high strength and anti corrosion.
- Non yellowing, UV stabilised, translucent V acrylic / translucent convex acrylic diffuser.
- EPDM gasket.
- Luminaire integrated with 30W LED.
- Suitable for mounting to internally threaded pipe of designation M30.
- Cable entries for through-wiring of mains supply cable.
- Integral constant current power supply
- Suitable for operation on 240V, 50Hz single phase ac supply.
- Ordering guide : KL-24980-CCT (Colour Temperature)
- Available CCT : 2700K, 3000K, 4000K, 5700K



Product Benefits

- High luminous efficiency at reduced wattage.
- Functionally versatile, strong and stable.
- Corrosion resistant and easy maintenance.
- Quick installation and low assembly costs.
- Sustainable LED technology offers durability and optimal light output with low power consumption

Area of Application

Gardens, Smaller Roadways, Private driveways, Residential Area Lighting, Courtyards, Public area lighting like parks & Squares

Available Finish

Pure polyester powder coated

RAL 9004 Black

RAL 9007 Grey aluminium

RAL 7016 Anthracite grey

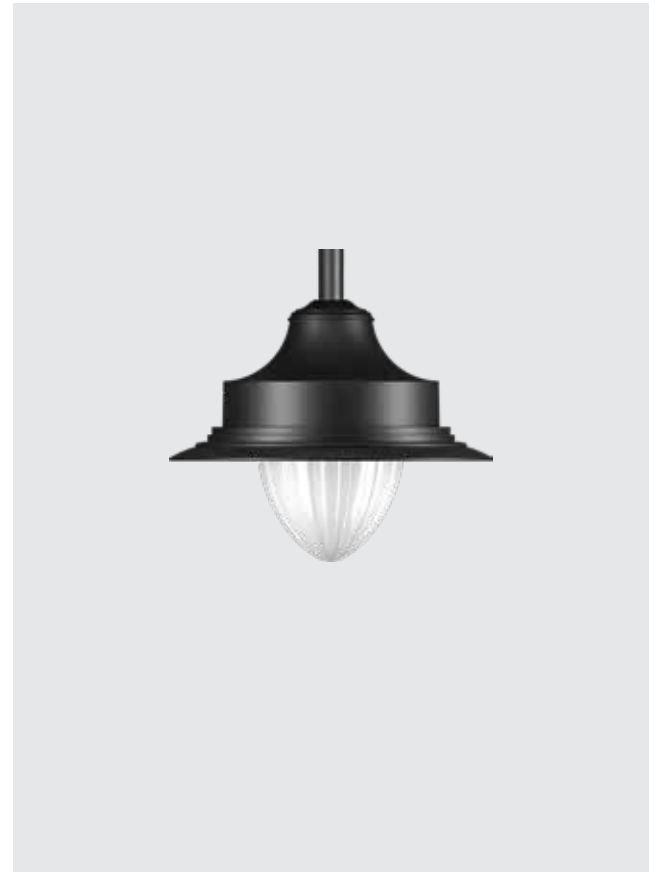
Graphite grey

Diffuser Options



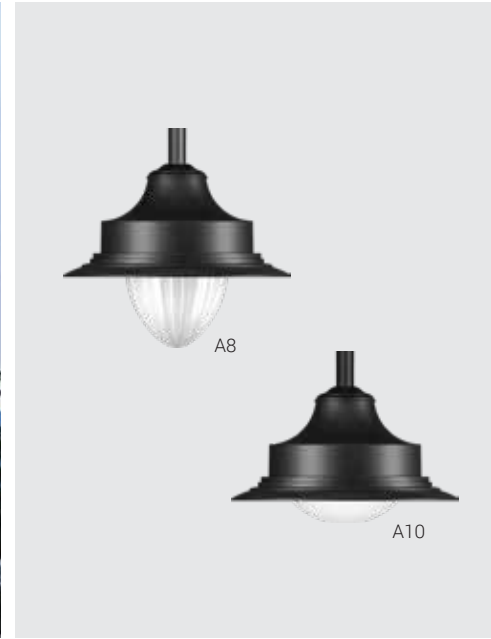
A8 - Translucent Acrylic

A10 - Translucent Acrylic





SHIMLA HELIPAD



Technical Specifications

General

ID : 24980
 System Wattage : 30W LED
 Driver Integral : Constant Current
 Operating Voltage : 100-277Vac
 Operating Temperature : -15°C~+50°C

Light Source

Light Source : LUMILEDS / BRIDGELUX
 CRI (Ra) : >70
 LED Colour Temperature : 2700K / 3000K / 4000K / 5700K

Physical

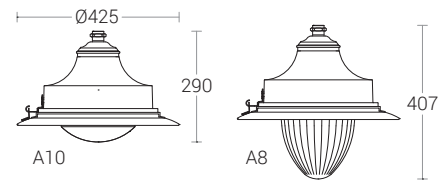
Body : Spun Aluminium
 Diffuser : Clear acrylic (A9) / Clear Polycarbonate (A12)
 Mounting : Suitable for mounting to M30
 Finish : Powder coated
 RAL 9004 Black
 RAL 9007 Grey aluminium
 RAL 7016 Anthracite grey
 Graphite grey

Driver

Power Supply : Integral
 Input Voltage : 230 - 240Vac
 Frequency : 50-60Hz
 Power Factor : >0.90
 THD : <10%
 Surge Protection : 4KV
 Efficiency : >85%

Optical Performance

Light Distribution : Symmetrical



Note : It is our constant endeavor to upgrade the performance of our products. For the latest technical information, IES files and product updates please refer to the website at www.klite.in

Pelican Fort Mini pathway luminaires is a special purpose outdoor luminaire, integral model, totally weather proof aesthetically contoured. Improved long lasting protection against ingress of dust / moisture / insects inside optical compartment with top opening facility for maintenance.

Product Description

- Luminaire comprises of specially contoured spun aluminium body featuring high strength and anti corrosion.
- Non yellowing, UV stabilised, Clear V acrylic diffuser / Clear V PC diffuser
- EPDM gasket.
- Luminaire integrated with 50W LED.
- Suitable for mounting to internally threaded pipe of designation M30.
- Cable entries for through-wiring of mains supply cable.
- Integral constant current power supply
- Suitable for operation on 240V, 50Hz single phase ac supply.
- Ordering guide : KL-24897-CCT (Colour Temperature)
- Available CCT : 2700K, 3000K, 4000K, 5700K



Product Benefits

- High luminous efficiency at reduced wattage.
- Functionally versatile, strong and stable.
- Corrosion resistant and easy maintenance.
- Quick installation and low assembly costs.
- Sustainable LED technology offers durability and optimal light output with low power consumption

Area of Application

Gardens, Smaller Roadways, Private driveways, Residential Area Lighting, Courtyards, Public area lighting like parks & Squares

Available Finish

Pure polyester powder coated
RAL 9004 Black
RAL 9007 Grey aluminium
RAL 7016 Anthracite grey
Graphite grey

Diffuser Options



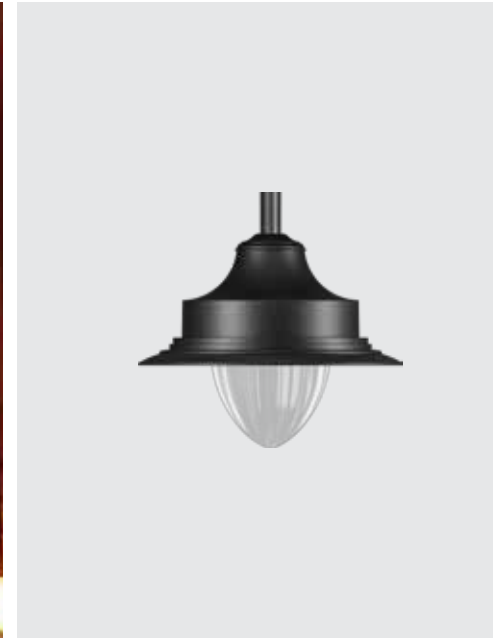
A9 - Clear Acrylic

A12 - Clear Polycarbonate





ALIPORE JAIL MUSEUM, KOLKATA



Technical Specifications

General

ID : 24897
 System Wattage : 50W LED
 Driver Integral : Constant Current
 Operating Voltage : 100-277Vac
 Operating Temperature : -15°C~+50°C

Light Source

Light Source : LUMILEDS / OSRAM
 CRI (Ra) : >70
 LED Colour Temperature : 2700K / 3000K / 4000K / 5700K

Physical

Body : Spun Aluminium
 Diffuser : Clear acrylic (A9) / Clear Polycarbonate (A12)
 Mounting : Suitable for mounting to internally threaded pipe of designation M30

Driver

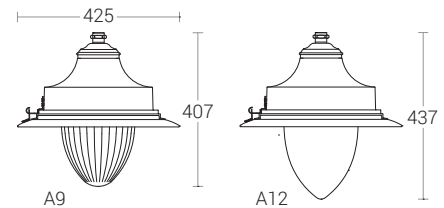
Power Supply : Integral
 Input Voltage : 230-240Vac
 Frequency : 50-60Hz
 Power Factor : >0.95
 THD : <10%
 Surge Protection : 6KV
 Efficiency : >85%

Finish

: Powder coated
 RAL 9004 Black
 RAL 9007 Grey aluminium
 RAL 7016 Anthracite grey
 Graphite grey

Optical Performance

Optical Distribution : Type II



Note : It is our constant endeavor to upgrade the performance of our products. For the latest technical information, IES files and product updates please refer to the website at www.klite.in

Pelican Fort Mini pathway luminaire is a special purpose outdoor luminaire, integral model, totally weather proof aesthetically contoured. Improved long lasting protection against ingress of dust / moisture / insects inside optical compartment with top opening facility for maintenance.

Product Description

- Luminaire comprises of specially contoured spun aluminium body featuring high strength and anti corrosion.
- Non yellowing UV stabilised, translucent acrylic diffuser.
- EPDM gasket.
- Luminaire integrated with 50W LED.
- Suitable for mounting to internally threaded pipe of designation M30.
- Cable entries for through-wiring of mains supply cable.
- Integral constant current power supply
- Suitable for operation on 240V, 50Hz single phase ac supply.
- Ordering guide : KL-24600-CCT (Colour Temperature)
- Available CCT : 2700K, 3000K, 4000K, 5700K



Product Benefits

- High luminous efficiency at reduced wattage.
- Functionally versatile, strong and stable.
- Corrosion resistant and easy maintenance.
- Quick installation and low assembly costs.
- Sustainable LED technology offers durability and optimal light output with low power consumption

Area of Application

Gardens, Smaller Roadways, Private driveways, Residential Area Lighting, Courtyards, Public area lighting like parks & Squares

Available Finish

Pure polyester powder coated
RAL 9004 Black
RAL 9007 Grey aluminium
RAL 7016 Anthracite grey
Graphite grey

Diffuser Options



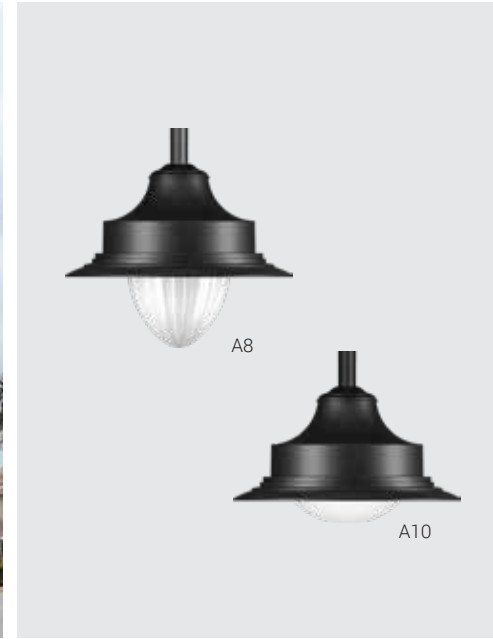
A8 - Translucent Acrylic

A10 - Translucent Acrylic





STATUE OF EQUALITY RAMANUJA, HYDERABAD



Technical Specifications

General

ID	: 24600
System Wattage	: 50W LED
Driver Integral	: Constant Current
Operating Voltage	: 100-277Vac
Operating Temperature	: -15°C~+50°C

Light Source

Light Source	: LUMILEDS / OSRAM
CRI (Ra)	: >80
LED Colour Temperature	: 2700K / 3000K / 4000K / 5700K

Physical

Body	: Spun Aluminium
Diffuser	: Translucent acrylic
Mounting	: Suitable for mounting to M30

Driver

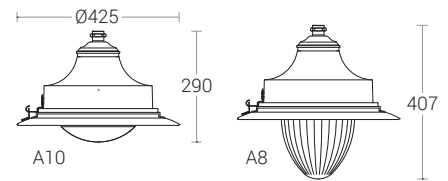
Power Supply	: Integral
Input Voltage	: 230 - 240Vac
Frequency	: 50-60Hz
Power Factor	: >0.95
THD	: <10%
Surge Protection	: 6KV
Efficiency	: >85%

Finish

: Powder coated
RAL 9004 Black
RAL 9007 Grey aluminium
RAL 7016 Anthracite grey
Graphite grey

Optical Performance

Light Distribution	: Symmetrical
--------------------	---------------



Note : It is our constant endeavor to upgrade the performance of our products. For the latest technical information, IES files and product updates please refer to the website at www.klite.in