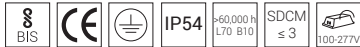


An elegant and efficient lantern with translucent diffuser provide a unique, comfortable light choice with symmetrical and glare free light distribution. Aesthetically designed sturdy construction ensures a long life against all weather condition, maintaining initial performances through the lifetime of the installation.

### Product Description

- The luminaire comprises of specially contoured spun aluminium top cover with circular capping spacer and ventilating knob.
- Aesthetically enhanced with ornamental spiral strip.
- Lamp compartment encased in non-yellowing translucent UV stabilised perpeX prism acrylic diffuser.
- Luminaire integrated with 27W LED.
- EPDM rubber gasket.
- Turn type polycarbonate locking system for easy maintenance.
- Die cast aluminium spigot base with aluminium alloy of low copper content for effective corrosion resistance.
- Suitable for mounting on 50mm OD pipe.
- Cable entries for through-wiring of mains supply cable
- Integral constant current power supply
- Prewired with LED driver and suitable for operating on 240V, 50Hz single phase ac supply.
- Ordering guide : KL-4984-CCT (Colour Temperature)
- Available CCT : 3000K, 4000K, 5700K



### Product Benefits

- Elegance, Functionality.
- Environmental friendly.
- Dark sky compliant protects pedestrians from glare, in addition to preventing spill light above the horizontal plane.
- The diffuser contributes to the creation of ambiance and to visual comfort by reducing glare.
- Low maintenance cost.

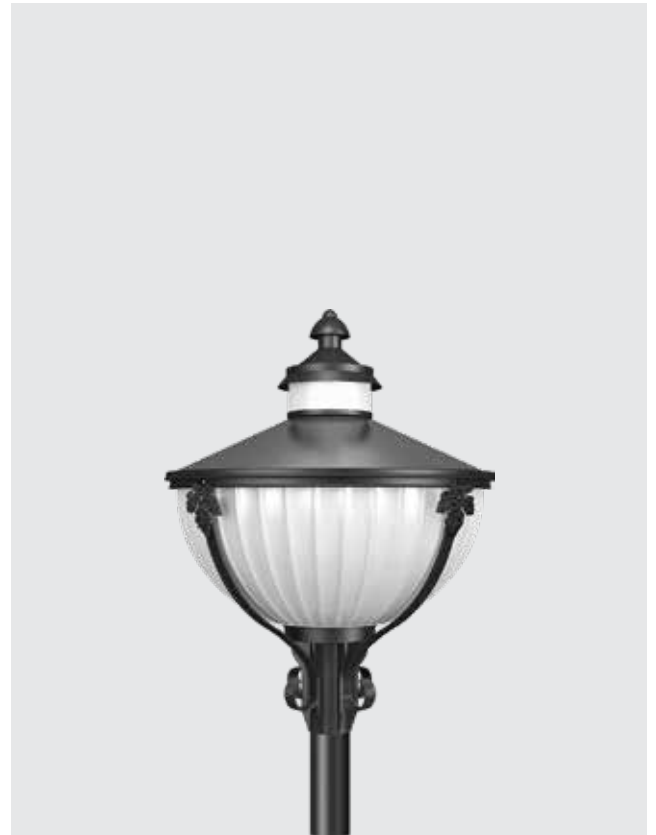
### Area of Application

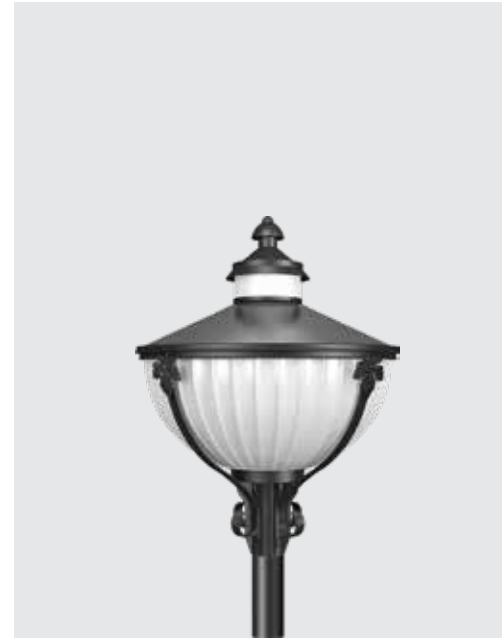
Illuminating parks, Gardens, commercial complex, Pathways in residential buildings & office complex.

### Available Finish

Pure polyester powder coated

- Graphite grey
- Anthracite grey
- Jet black





**Technical Specifications**

**General**

ID : 4984  
 System Wattage : 27W LED  
 Driver Integral : Constant Current  
 Input Voltage : 230-240Vac  
 Frequency : 50-60Hz  
 Operating Voltage : 100-277Vac  
 Operating Temperature : -15°C~+50°C

**Light Source**

Light Source : NICHIA  
 LED Lumens : 4050 lm  
 CRI (Ra) : >80  
 LED Colour Temperature : 3000K / 4000K / 5700K

**Driver**

Power Supply : Integral  
 Power Factor : >0.9  
 THD : <10%  
 Surge Protection : 4KV  
 Efficiency : >85%

**Physical**

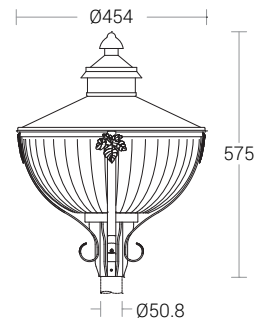
Body : Die cast aluminium  
 base, spun aluminium  
 top cover

Diffuser : Translucent Acrylic  
 Mounting : Suitable for 50mm  
 OD Pipe

Finish : Powder coated  
 Graphite grey / Jet black  
 / Anthracite grey

**Optical Performance**

Light Distribution : Symmetrical



An elegant and efficient lantern with translucent diffuser provide a unique, comfortable light choice with symmetrical and glare free light distribution. Aesthetically designed sturdy construction ensures a long life against all weather condition, maintaining initial performances through the lifetime of the installation.

### Product Description

- The luminaire comprises of specially contoured spun aluminium top cover with circular capping spacer and ventilating knob.
- Aesthetically enhanced with ornamental spiral strip.
- Lamp compartment encased in non-yellowing translucent UV stabilised perpeX prism acrylic diffuser.
- EPDM rubber gasket.
- Turn type polycarbonate locking system for easy maintenance.
- Die cast aluminium spigot base with aluminium alloy of low copper content for effective corrosion resistance.
- Suitable for mounting on 50mm OD pipe.
- Cable entries for through-wiring of mains supply cable
- Prewired with E27 holder and suitable for operating on 240V, 50Hz single phase ac supply.



### Product Benefits

- Elegance, Functionality.
- Environmental friendly.
- Dark sky compliant protects pedestrians from glare, in addition to preventing spill light above the horizontal plane.
- The diffuser contributes to the creation of ambiance and to visual comfort by reducing glare.
- Low maintenance cost.

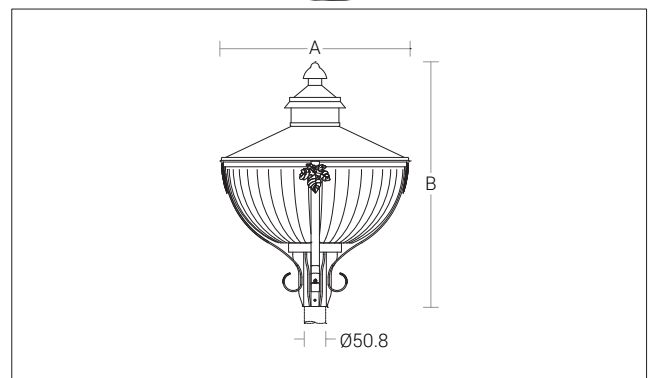
### Area of Application

Illuminating parks, Gardens, commercial complex, Pathways in residential buildings & office complex.

### Available Finish

Pure polyester powder coated

- Graphite grey
- Anthracite grey
- Jet black



ID	Wattage	A	B
5087	E27 Translucent	Ø454	575

Note : Max. Wattage : 17W LED / 23W CFLE