

An elegant and efficient lantern with translucent diffuser provide a unique, comfortable light choice. Aesthetically designed sturdy construction ensures a long life against all weather condition, maintaining initial performances through the lifetime of the installation.

### Product Description

- The luminaire comprises of specially contoured spun aluminium top cover with circular capping spacer and ventilating knob.
- Lamp compartment encased in non-yellowing translucent UV stabilised acrylic diffuser.
- EPDM rubber gasket.
- Turn type polycarbonate locking system for easy maintenance.
- Die cast aluminium spigot base with aluminium alloy of low copper content for effective corrosion resistance.
- Suitable for mounting on 50mm OD pipe.
- Cable entries for through-wiring of mains supply cable
- Prewired with E27 holder and suitable for operation on 240V, 50Hz single phase ac supply.



### Product Benefits

- Elegance, Functionality.
- Dark sky compliant protects pedestrians from glare, in addition to preventing spill light above the horizontal plane.
- The diffuser contributes to the creation of ambiance and to visual comfort by reducing glare.
- Low maintenance cost.

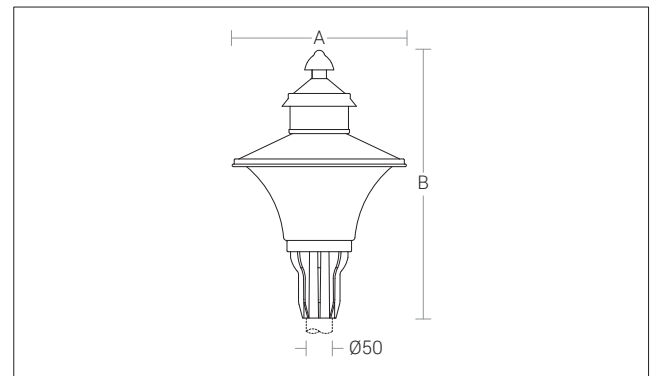
### Area of Application

Illuminating parks, Gardens, commercial complex, Pathways in residential buildings & office complex.

### Available Finish

Pure polyester powder coated

- Graphite grey
- Anthracite grey
- Jet black



ID	Wattage	A	B
5071	E27 Translucent	Ø340	523

Note : Max. Wattage : 13W LED / 20W CFLE