

An elegant and efficient lantern with translucent diffuser provide a unique, comfortable light choice with symmetrical light distribution. Aesthetically designed sturdy construction ensures a long life against all weather condition, maintaining initial performances through the lifetime of the installation.

Product Description

- The luminaire comprises of FRP canopy with specially designed vent cap.
- Lamp compartment encased in non-yellowing translucent UV stabilised translucent acrylic diffuser.
- Cast aluminium alloy mounting base of low copper content for effective corrosion resistance.
- Suitable for mounting on 50mm OD pipe.
- Cable entries for through-wiring of mains supply cable.
- Prewired with E27 holder and suitable for operation on 240V, 50Hz single phase ac supply.



Product Benefits

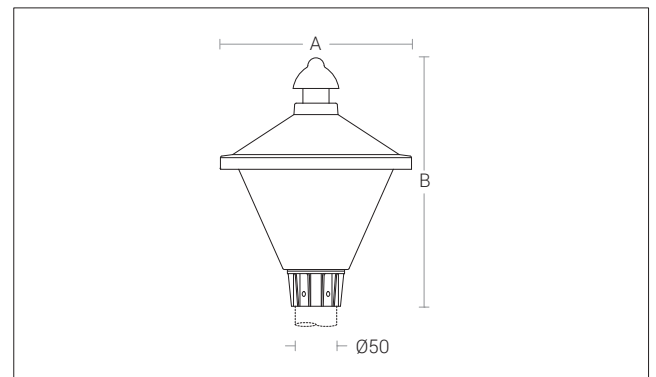
- Elegance, Functionality.
- Dark sky compliant protects pedestrians from glare, in addition to preventing spill light above the horizontal plane.
- The diffuser contributes to the creation of ambiance and to visual comfort by reducing glare.
- Low maintenance cost.

Area of Application

Illuminating parks, Gardens, commercial complex, Pathways in residential buildings & office complex.

Available Finish

- Pure polyester powder coated
- RAL 9004 Black
- RAL 9007 Grey aluminium
- RAL 7016 Anthracite grey
- Graphite grey



ID	Wattage	A	B
26802	E27-A	□234	304

Note : Max. Wattage : 13W LED / 11W CFLE