

wall cylin micro

These facade luminaires feature Hybrid optics, providing versatile lighting options. They direct light downwards for ambient illumination and orientation while also casting light upwards to highlight architectural features. The design ensures precise lighting exactly where needed. With their aesthetically shaped wall-mounted form and fully shielded light source, these luminaires create dramatic and striking light effects while minimizing light pollution.

MATERIAL

Body : Extruded & Die-Cast Aluminium
Reflector : Mirror finish pure AL
Ingress Protection : IP65
Diffuser : Clear toughened glass
Mounting : Surface - Wall

ELECTRICAL

Driver : Standard
Power Supply : Integral
Input Voltage : 230-240Vac / 50-60 Hz
Surge : 4KV

PRODUCT CONFIGURATIONS

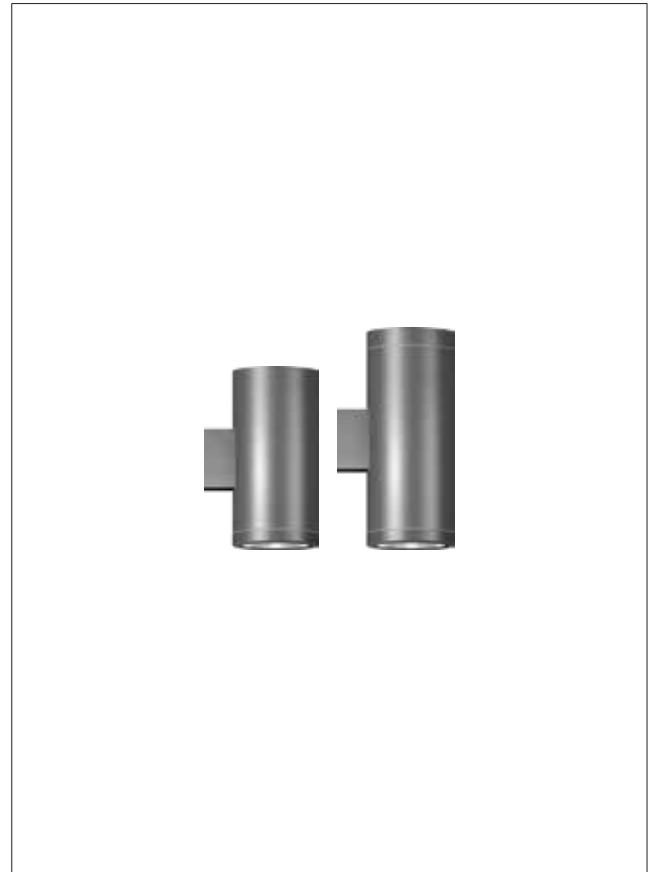
Wattage : 6W / 2 x 6W LED
Beam Angle : 15° / 25° / 40°
CCT : 2700K / 3000K / 4000K / 6500K
LED Life Time : L70 B10 60,000 H

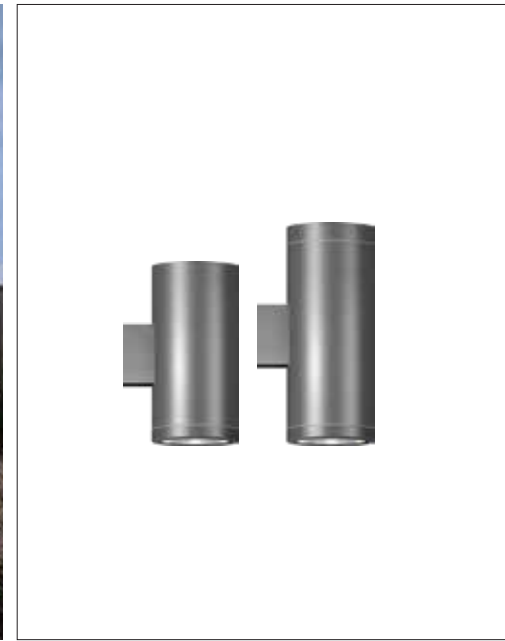
AREA OF APPLICATION

Residential, Building facade, Commercial centres, Passages, Pathways, Sculptures and Structures.

AVAILABLE FINISH

Pure polyester powder coated
RAL 9004 Signal black
RAL 9007 Grey aluminium
RAL 7016 Anthracite grey





Technical Specifications

General

ID	: 3625 / 3626
System Wattage	: 6W / 2 x 6W LED
Driver Integral	: Constant Current
Operating Voltage	: 100-300Vac
Operating Temperature	: -15°C~+50°C

Light Source

Light Source	: CITIZEN COB
CRI (Ra)	: >80
LED Colour Temperature	: 2700K / 3000K/ 4000K 6500K

Physical

Body	: Extruded & die-cast aluminium
Reflector	: Mirror finish pure AL
Diffuser	: Clear toughened glass
Mounting	: Surface - Wall
Finish	: Powder coated RAL 9004 Signal black RAL 9007 Grey aluminium RAL 7016 Anthracite grey

Driver

Power Supply	: Integral
Input Voltage	: 230-240Vac
Frequency	: 50-60 Hz
Power Factor	: ≥0.95
THD	: <15%
Surge Protection	: 4KV
Efficiency	: >80%

Optical Performance

Beam Angle	: 15° / 25° / 40°
------------	-------------------

