



moon ring

The "Moon Ring" an exceptional solution for various outdoor settings. Its emphasis on completeness, safety, and dependability suggests a reliable lighting solution suitable for a range of environments. The luminaire's design appears to be versatile, capable of effectively illuminating large areas while minimizing obstructions, which is essential for ensuring unimpeded visibility and safety.

MATERIAL

Body	: Spun aluminium & Laser cutting design made of aluminium sheet.
Impact Protection	: IK09
Ingress Protection	: IP65 LED Module
Lens	: Polycarbonate optical lens
Mounting	: Extruded aluminium pipe (grade 6063) suitable for mounting on 88.9mm OD pole

ELECTRICAL

Driver	: Standard
Power Supply	: Integral
Input Voltage	: 230-240Vac / 50-60 Hz
Surge	: 6KV

PRODUCT CONFIGURATIONS

Wattage	: 200W
Light Distribution	: Symmetrical
CCT	: 3000K / 4000K / 5700K
LED Life Time	: L70 B10 1,00,000 H

AREA OF APPLICATION

Area lighting, Traffic junction, Campus Lighting, Resorts, Shopping centres, Medium size bridge cross ways, Port, Shipment yards, Sports Lightings, Airports etc.,

AVAILABLE FINISH

Pure polyester powder coated
RAL 9004 Signal black
RAL 9007 Grey aluminium
RAL 7016 Anthracite grey





Technical Specifications

General

ID : 4452
 System Wattage : 200W LED
 Driver Integral : Constant Current
 Operating Voltage : 110-300Vac
 Operating Temperature : -15°C~+50°C

Physical

Body : Spun aluminium & AL sheet
 Diffuser : Polycarbonate Optical Lens
 Mounting : Suitable for 88.9mm OD pole.

Finish

: Powder coated
 RAL 9004 Signal black
 RAL 9007 Grey aluminium
 RAL 7016 Anthracite grey

Light Source

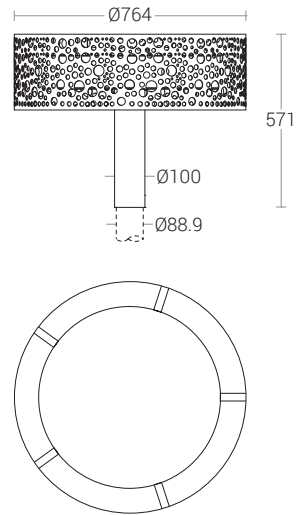
Light Source : LUMILEDS / OSRAM
 CRI (Ra) : ≥70
 LED Colour Temperature : 3000K / 4000K / 5700K

Driver

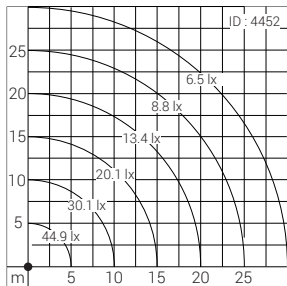
Power Supply : Integral
 Input Voltage : 230-240Vac
 Frequency : 50-60 Hz
 Power Factor : >0.95
 THD : <10%
 Surge Protection : 6KV
 Efficiency : >85%

Optical Performance

Light Distribution : Symmetrical



Light Distribution



Applied Photometry : H=10m