

An elegant and efficient lantern with clear diffuser provide a unique, comfortable light choice with symmetrical light distribution. Aesthetically designed sturdy construction ensures a long life against all weather condition, maintaining initial performances through the lifetime of the installation.

### Product Description

- The luminaire made of spun aluminium top cover and die cast aluminium base.
- Non yellowing UV stabilised clear acrylic diffuser.
- Brite aluminium reflector is profiled for improved illumination efficiency.
- Luminaire integrated with 30W LED.
- Die cast aluminium spigot base with aluminium alloy of low copper content for effective corrosion resistance.
- Suitable for mounting on 60mm OD pipe.
- Cable entries for through-wiring of mains supply cable.
- Integral constant current power supply
- CRI (Ra) :  $\geq 80$
- Prewired with LED driver and suitable for operating on 240V, 50Hz single phase ac supply.
- Ordering guide : KL-4520-CCT (Colour Temperature)
- Available CCT : 2700K, 4000K, 5700K



### Product Benefits

- Elegant, Robust design
- Environmental friendly, moisture proof, insect free.
- The diffuser contributes to the creation of ambiance and to visual comfort by reducing glare.
- Low maintenance cost.

### Area of Application

Illuminating parks, Gardens, commercial complex, Residential roadways, Walkways, Streetscapes & office complex.

### Available Finish

Pure polyester powder coated

- Graphite grey
- Anthracite grey
- Jet black





**Technical Specifications**

**General**

|                       |                    |
|-----------------------|--------------------|
| ID                    | : 4520             |
| System Wattage        | : 30W LED          |
| Driver Integral       | : Constant Current |
| Input Voltage         | : 230-240Vac       |
| Frequency             | : 50-60Hz          |
| Operating Voltage     | : 100-277Vac       |
| Operating Temperature | : -15°C~+50°C      |

**Physical**

|          |   |
|----------|---|
| Body     | : Spun aluminium top cover & Die cast aluminium base            |
| Diffuser | : Clear acrylic   |
| Mounting | : Suitable for Ø60mm OD pipe                                    |
| Finish   | : Powder coated<br>Graphite grey / Jet black<br>Anthracite grey |

**Light Source**

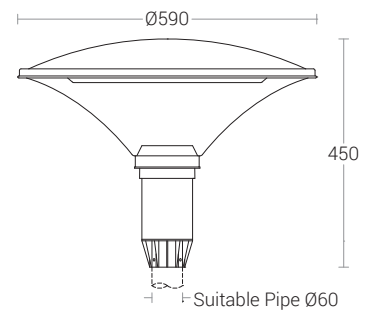
|                        |                         |
|------------------------|-------------------------|
| Light Source           | : NICHIA                |
| CRI (Ra)               | : >80                   |
| LED Colour Temperature | : 2700K / 4000K / 5700K |

**Driver**

|                  |            |
|------------------|------------|
| Power Supply     | : Integral |
| Power Factor     | : >0.95    |
| THD              | : <10%     |
| Surge Protection | : 4KV      |
| Efficiency       | : >88%     |

**Optical Performance**

|                    |               |
|--------------------|---------------|
| Light Distribution | : Symmetrical |
|--------------------|---------------|



**Note :** It is our constant endeavor to upgrade the performance of our products. For the latest technical information, IES files and product updates please refer to the website at [www.klite.in](http://www.klite.in)