

LED compact spot light luminaires designed to provide directional light. The luminaires comes with a connecting cable and an earth spike for portable installation or bracket for permanent installation on a wall, under a ceiling or on a column.

### Product Description

- Luminaire made of pressure die cast aluminium alloy of high corrosion resistance and non corrosive stainless steel fasteners.
- Clear toughened glass.
- Mounting earth spike or die-cast aluminium bracket arrangement to facilitate easy installation at any desired location.
- Swivel range of 0°-90°.
- Luminaire supplied with 0.5 metre cable length and a IP67 connector.
- Silicone gasket.
- Prewired with GU10 holder and suitable for operation on 240V, 50Hz single phase ac supply.



### Product Benefits

- Sturdy construction in order to maintain performance of the luminaire and to reduce maintenance costs.
- Quick & simple installation.
- Clear glass in the front with continuous rubber gasket to ensure adequate sealing against ingress of moisture, dust, insects etc.,

### Areas of Application

Pathways, Parks, Sculptures, Gardens, Structures and Landscape lighting.

### Available Finish

Pure polyester powder coated

- Graphite grey
- Anthracite grey
- Jet black

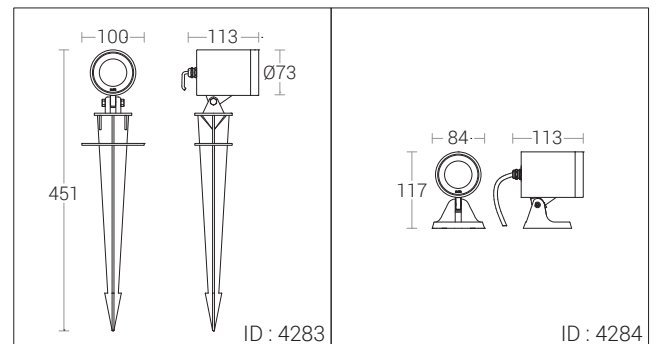
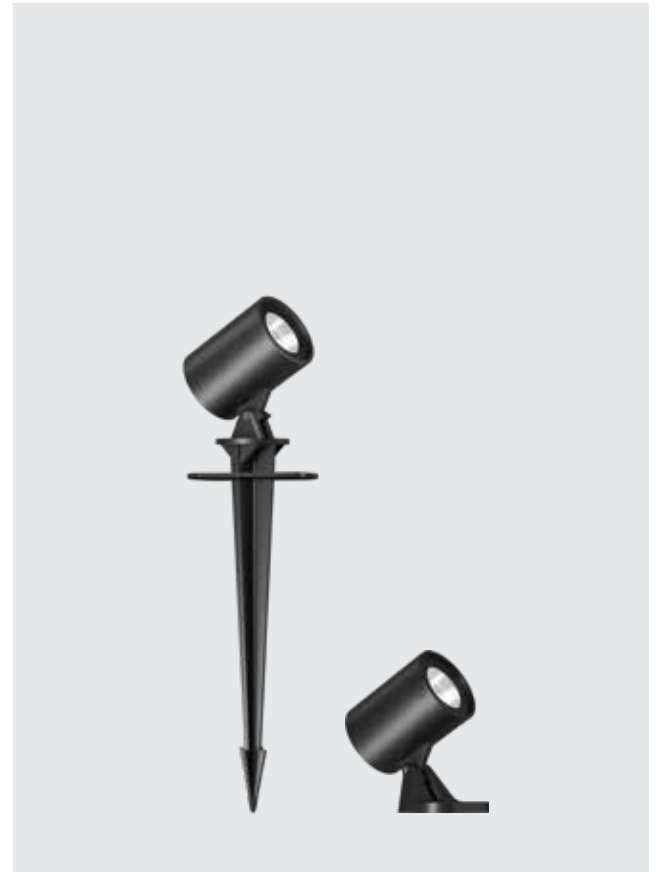
### Accessory



Anti-Glare  
Visor

Spill Control  
Snoot

Honey Comb  
Louvre



| ID   | Description | Wattage     |
|------|-------------|-------------|
| 4283 | Spike       | GU10 Holder |
| 4284 | Bracket     | GU10 Holder |