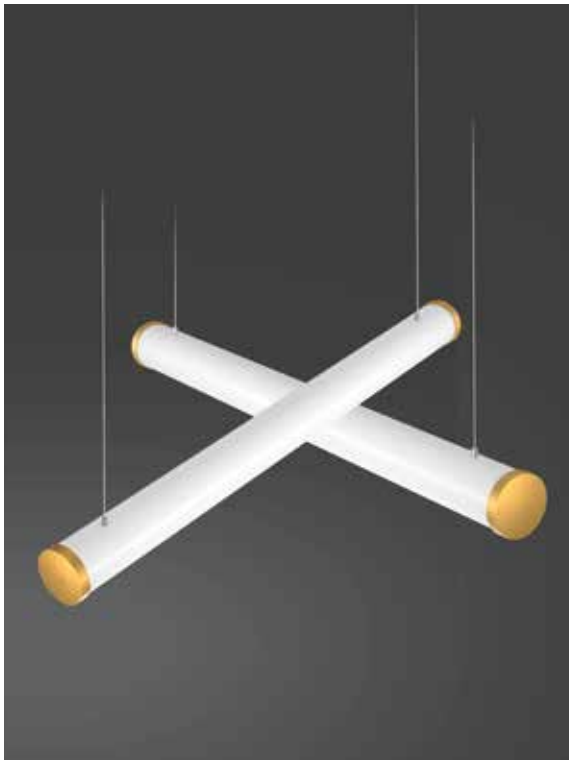
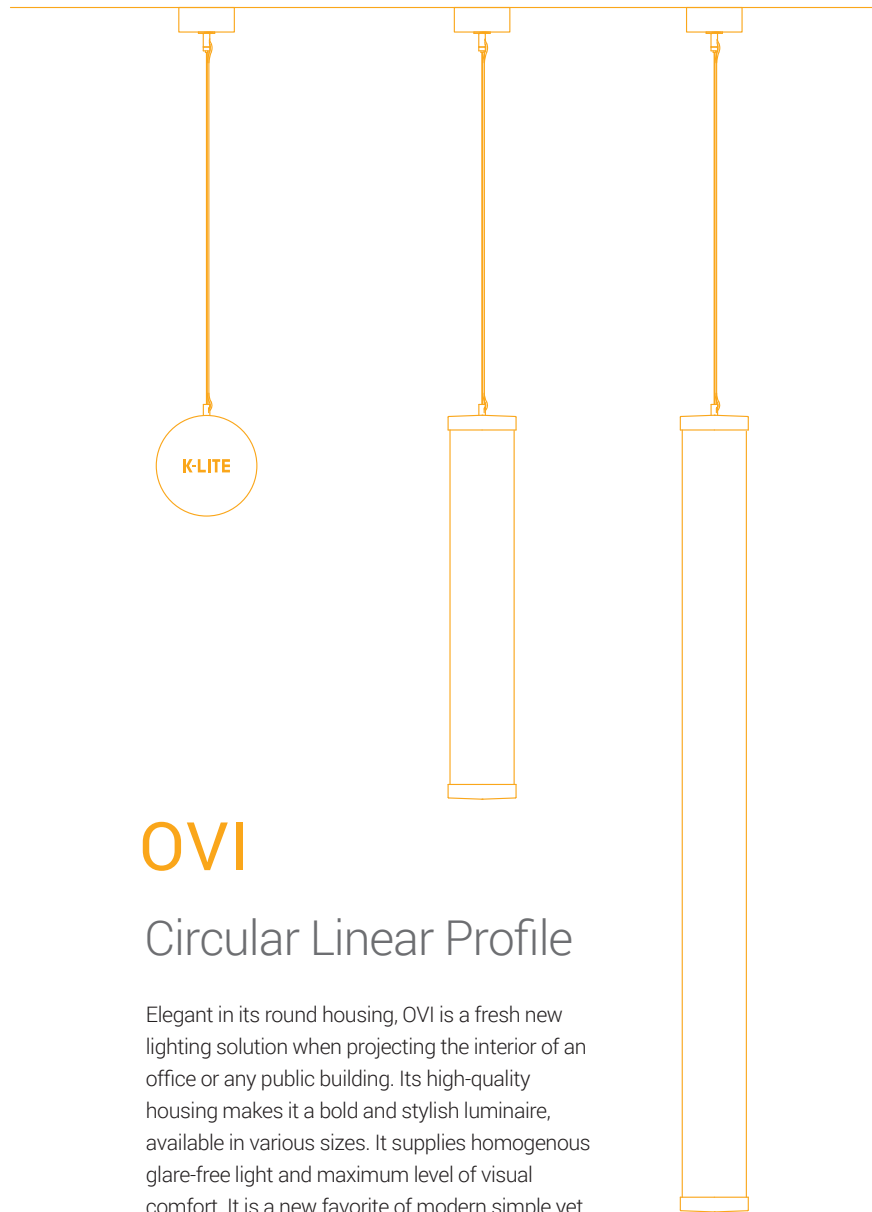


INSPIRATION



Open Source



OVI

Circular Linear Profile

Elegant in its round housing, OVI is a fresh new lighting solution when projecting the interior of an office or any public building. Its high-quality housing makes it a bold and stylish luminaire, available in various sizes. It supplies homogenous glare-free light and maximum level of visual comfort. It is a new favorite of modern simple yet stylish office lighting.

K-LITE

OVI

Power : Upto 20W Upto 40W Upto 80W
Length: 570mm 1085mm 2110mm



Features

- Lumiled / Equivalent LED's
- CRI Ra>80 (>90 On Request)
- SDCM ≤ 3
- L70 / B10 @ 60,000 Hrs
- Standard suspension kit 1M



Options

- CCT : 3000K / 4000K / 5700K or TW 2700K to 5700K
- Driver options



Beam Angle - BA360°

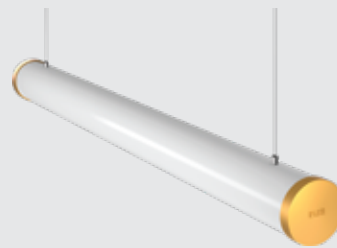


Accessories

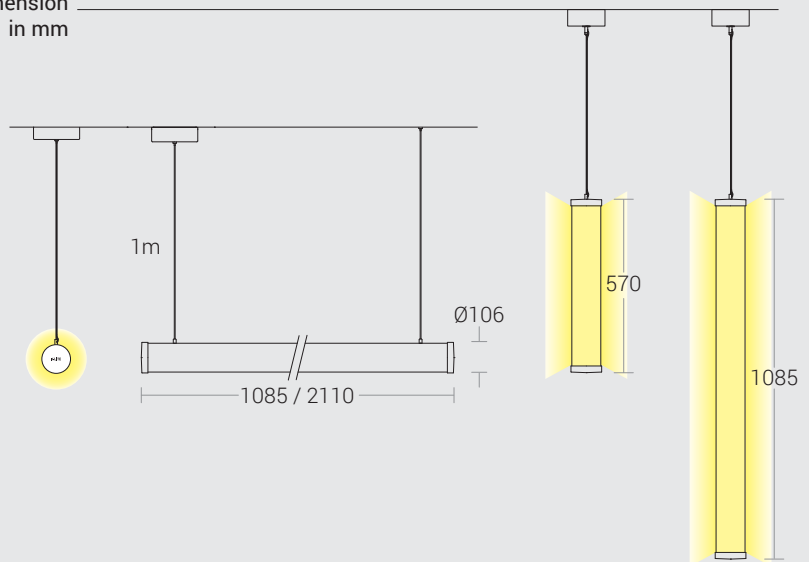


Canopy Kit for Dimmable options

PENDANT



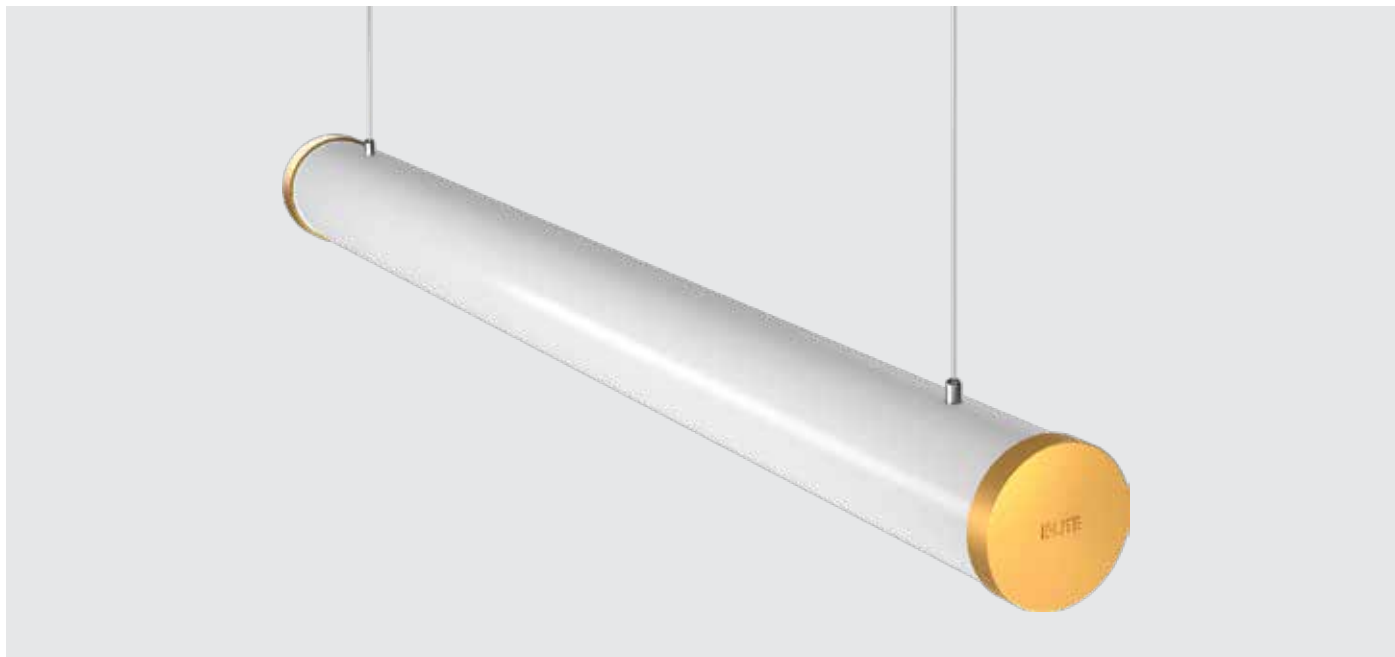
Dimension in mm



Housing Colour

- Die-cast aluminium Endcaps with powder coated finish in RAL9005 Black fine texture | RAL9006 Grey fine texture. Sparkle Gold (Liquid Paint).

Light Distribution refer online



Technical Specifications

General

Driver : Constant Current
 Input Voltage : 220-240Vac
 Operating Temperature : -15°C~+50°C

Light Source

Light Source : Lumiled / Equivalent
 CRI (Ra) : >80 (>90 On Request)
 LED Colour Temperature : 3000K / 4000K / 5700K

Optical

Tilt : Fixed
 Beam Angle : 360°
 Diffuser Material : Opal Polycarbonate
 UGR : <16

Physical

Body : Polycarbonate Tube with Die-cast Endcaps
 Mounting : Pendant
 Finish : Black (RAL9005)
 Grey (RAL9006)
 Sparkle Gold (Liquid Paint)

Driver

Power Supply : Integrated
 Power Factor : >0.95
 THD : <10%
 Surge Protection : 3KV
 Efficiency : >85%



Ordering Guide

Pendant

ID	Wattage	Dimension (mm)
3462	Upto 40W	1085 x Ø106
3463	Upto 80W	2110 x Ø106

Pendant - Vertical

ID	Wattage	Dimension (mm)
3495	Upto 20W	570 x Ø106
3496	Upto 40W	1085 x Ø106

