

ARC-L

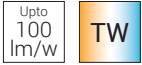
Elegance of Simplicity

Arc-L Pendant Direct / Indirect luminaire, offers high quality and easy to install modular lighting solutions. It offers premium lighting environment for sustainable Offices, Educational institutions, Retail and General areas. High-performance optic for maximum light efficiency and glare controlled light distribution with low UGR.

K-LITE

ARC-L

Power : Upto 40W Upto 80W Upto 120W
Length : 1188mm 2364mm 3540mm



Features

- Nichia LED's
- CRI Ra>80 (>90 On Request)
- SDCM ≤ 3
- L70 / B10 @ 60,000 Hrs
- Standard suspension kit 1M



Options

- CCT : 3000K / 4000K / 5700K or TW 2700K to 5700K
- Driver options



Beam Angle



Accessories



Canopy Kit for Control gear

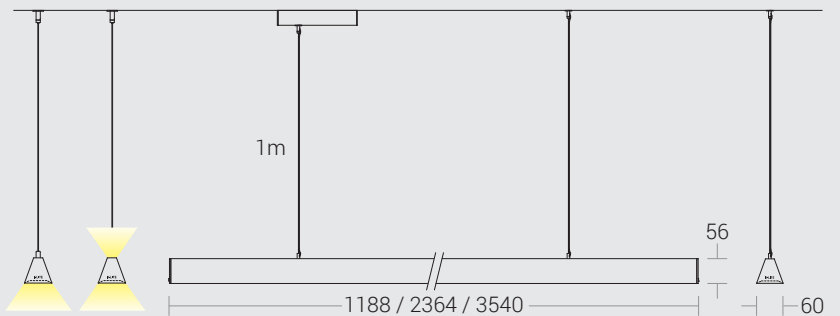
PENDANT
DIRECT



PENDANT
DIRECT / INDIRECT



Dimension in mm



Housing Colour



Extruded aluminium with powder coated finish in
RAL9005 Black fine texture | RAL9016 White fine texture |
RAL9006 Grey fine texture

Light Distribution refer online





Technical Specifications

General

Driver	: Constant Current
Input Voltage	: 220-240Vac
Operating Temperature	: -15°C~+50°C

Light Source

Light Source	: Nichia
CRI (Ra)	: >80 (>90 On Request)
LED Colour Temperature	: 3000K / 4000K / 5700K

Optical

Efficiency	: >90%
Tilt	: Fixed
Beam Angle	: 50°
Diffuser/Lens Material	: Polycarbonate
Secondary Reflector	: Hexa-Cell (Matt Black)
UGR	: <14

Physical

Body	: Extruded Aluminium with Die-cast Endcaps
Mounting	: Pendant
Finish	: Black(RAL9005) White(RAL9016) Grey (RAL 9006)

Driver

Power Supply	: Integrated
Power Factor	: >0.95
THD	: <10%
Surge Protection	: Upto 3KV
Efficiency	: >85%



Ordering Guide

Pendant - Direct

ID	Wattage	Dimension (mm)
3477	Upto 40W	1188 x 60 x 56
3478	Upto 80W	2364 x 60 x 56
3479	Upto 120W	3540 x 60 x 56

Pendant - Direct-Indirect

ID	Wattage	Dimension (mm)
3429	Upto 40W & 15W	1188 x 60 x 56
3439	Upto 80W & 30W	2364 x 60 x 56
3440	Upto 120W & 45W	3540 x 60 x 56