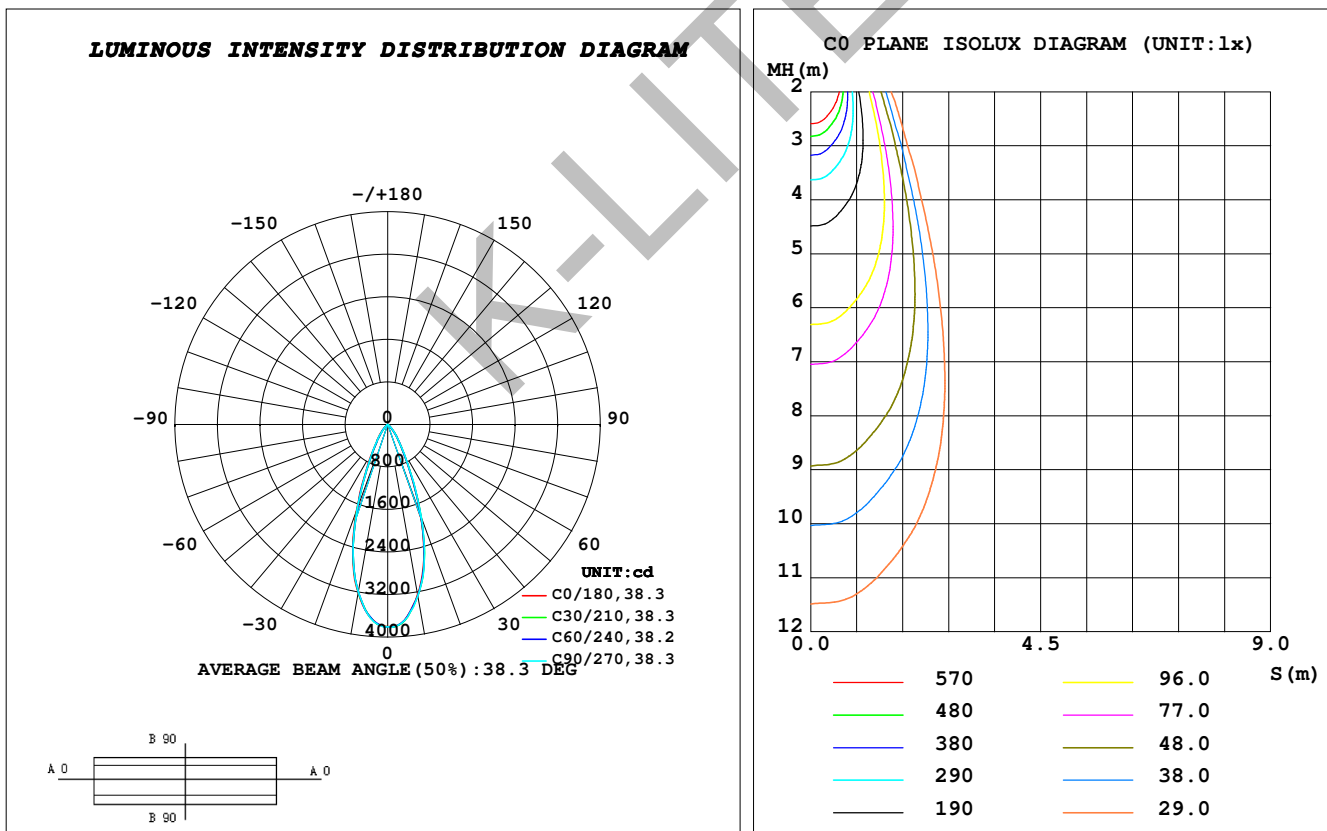


LUMINAIRE PHOTOMETRIC TEST REPORT

Test:U:230.66V I:0.0779A P:17.595W PF:0.9794 Freq:50.00Hz Lamp Flux:2304x1 lm		
NAME: QUAD MINI	TYPE:CEILING LUMINAIRES	WEIGHT:
SPEC.:NW, CITIZEN, BA-40°	DIM.: Sq 106 x 150	SERIAL No.:5179
MFR.: K-LITE	SUR.:	Shielding Angle:

DATA OF LAMP		PHOTOMETRIC DATA			
MODEL	KL-3645	Imax (cd)	3818	S/MH (C0/180)	0.61
NOMINAL POWER (W)	18	LOR (%)	79.3	S/MH (C90/270)	0.60
RATED VOLTAGE (V)	230	TOTAL FLUX (lm)	1826.6	η UP, DN (C0-180)	0.0, 40.7
NOMINAL FLUX (lm)	2304	CIE CLASS	DIRECT	η UP, DN (C180-360)	0.0, 38.6
LAMPS INSIDE	1	η up (%)	0.0	CIBSE SHR NOM	0.50
TEST VOLTAGE (V)	230	η down (%)	79.3	CIBSE SHR MAX	0.60



C Range: 0 - 360DEG
C Interval: 10.0DEG
Test Speed: HIGH
Temperature: 25.3DEG
Operators: K-LITE
Test Date: 23 November 2022

γ Range: 0 - 90DEG
γ Interval: 1.0DEG
Test System: EVERFINE GO-R5000_V2 SYSTEM V2.00.417
Humidity: 65.0%
Test Distance: 1.852m [K=1.0000]
Remarks: