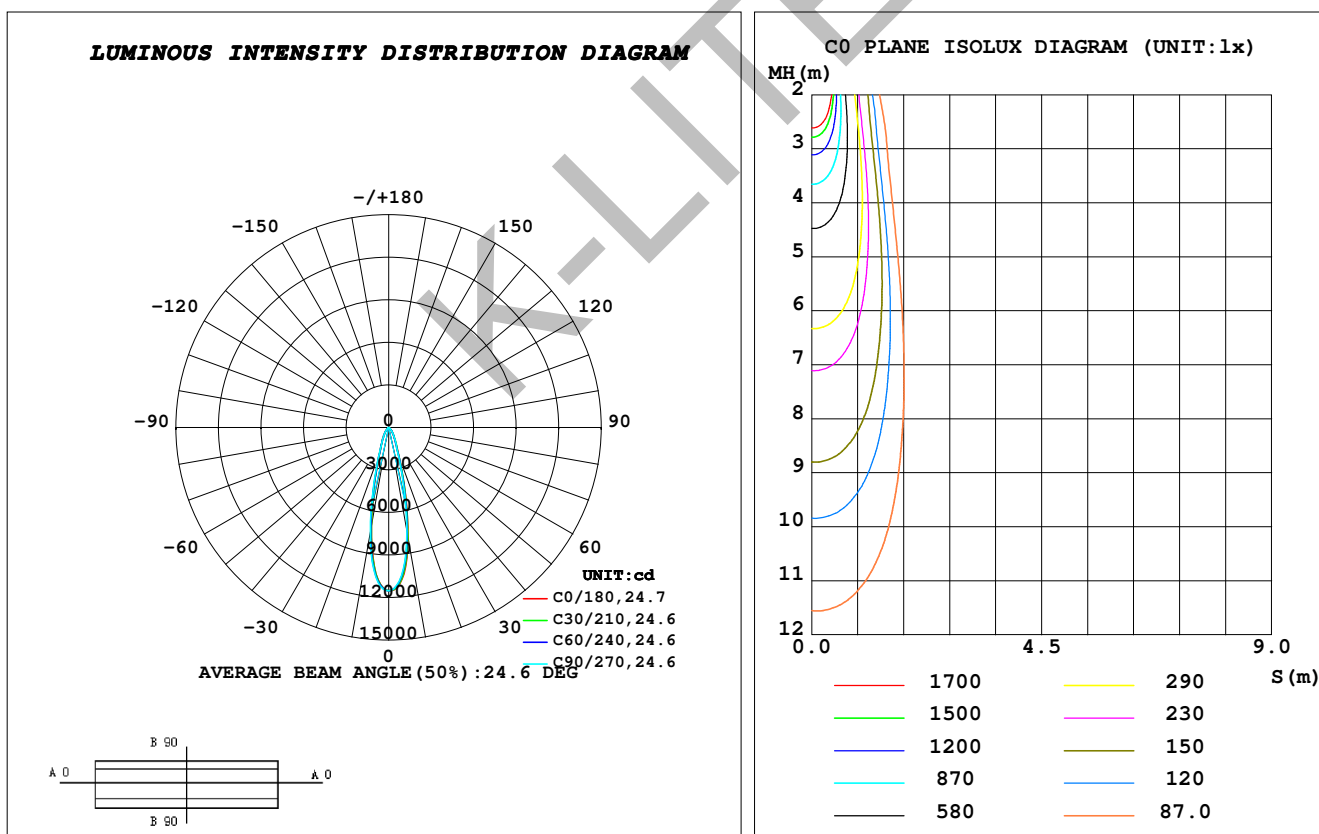


### LUMINAIRE PHOTOMETRIC TEST REPORT

Test:U:230.62V I:0.1613A P:37.016W PF:0.9949 Freq:49.99Hz Lamp Flux:5801.77x1 lm		
NAME: CYLIN MIDI	TYPE:CELLING LUMINAIRES	WEIGHT:
SPEC.:NW, CITIZEN, BA-25°	DIM.: Ø166 x 200	SERIAL No.:4925
MFR.: K-LITE	SUR.:	Shielding Angle:

DATA OF LAMP		PHOTOMETRIC DATA			
MODEL	KL-4083	Imax (cd)	11531	S/MH (C0/180)	0.40
NOMINAL POWER (W)	40	LOR (%)	53.7	S/MH (C90/270)	0.42
RATED VOLTAGE (V)	230	TOTAL FLUX (lm)	3113.0	η UP, DN (C0-180)	0.0, 27.0
NOMINAL FLUX (lm)	5801.77	CIE CLASS	DIRECT	η UP, DN (C180-360)	0.0, 26.7
LAMPS INSIDE	1	η up (%)	0.0	CIBSE SHR NOM	0.00
TEST VOLTAGE (V)	230	η down (%)	53.7	CIBSE SHR MAX	1.00



**C Range: 0 - 360DEG**  
**C Interval: 10.0DEG**  
**Test Speed: HIGH**  
**Temperature: 25.3DEG**  
**Operators: K-LITE**  
**Test Date: 11 September 2022**

**γ Range: 0 - 90DEG**  
**γ Interval: 1.0DEG**  
**Test System: EVERFINE GO-R5000\_V2 SYSTEM V2.00.417**  
**Humidity: 65.0%**  
**Test Distance: 1.852m [K=1.0000]**  
**Remarks:**