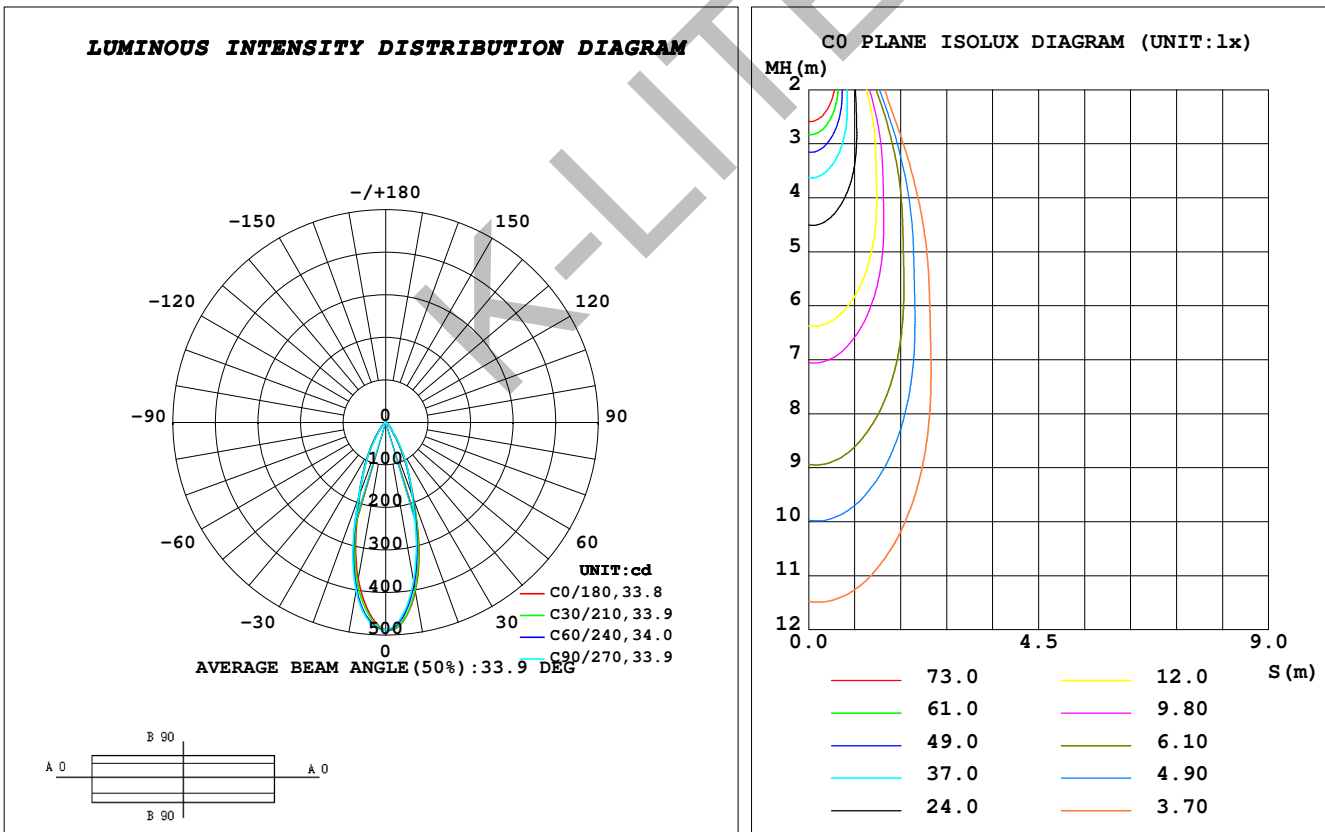


**LUMINAIRE PHOTOMETRIC TEST REPORT**

Test:U:230.72V I:0.0241A P:2.4372W PF:0.4382 Freq:49.99Hz Lamp Flux:254x1 lm		
NAME: TRIOSCAPE - SPIKE	TYPE:FLOOD LIGHTS	WEIGHT:
SPEC.:NW, LUMILED, BA-40°	DIM.: 100 x 116 x 447	SERIAL No.:4965
MFR.: K-LITE	SUR.:	Shielding Angle:

DATA OF LAMP		PHOTOMETRIC DATA			
MODEL	KL-6998	Imax (cd)	489.1	S/MH (C0/180)	0.54
NOMINAL POWER (W)	3	LOR (%)	85.3	S/MH (C90/270)	0.58
RATED VOLTAGE (V)	230	TOTAL FLUX (lm)	216.62	η UP, DN (C0-180)	0.0, 42.5
NOMINAL FLUX (lm)	254	CIE CLASS	DIRECT	η UP, DN (C180-360)	0.0, 42.8
LAMPS INSIDE	1	η up (%)	0.0	CIBSE SHR NOM	0.50
TEST VOLTAGE (V)	230	η down (%)	85.3	CIBSE SHR MAX	0.60



**C Range: 0 - 360DEG**  
**C Interval: 10.0DEG**  
**Test Speed: HIGH**  
**Temperature: 25.3DEG**  
**Operators: K-LITE**  
**Test Date: 20 September 2022**

**γ Range: 0 - 90DEG**  
**γ Interval: 1.0DEG**  
**Test System: EVERFINE GO-R5000\_V2 SYSTEM V2.00.417**  
**Humidity: 65.0%**  
**Test Distance: 1.852m [K=1.0000]**  
**Remarks:**