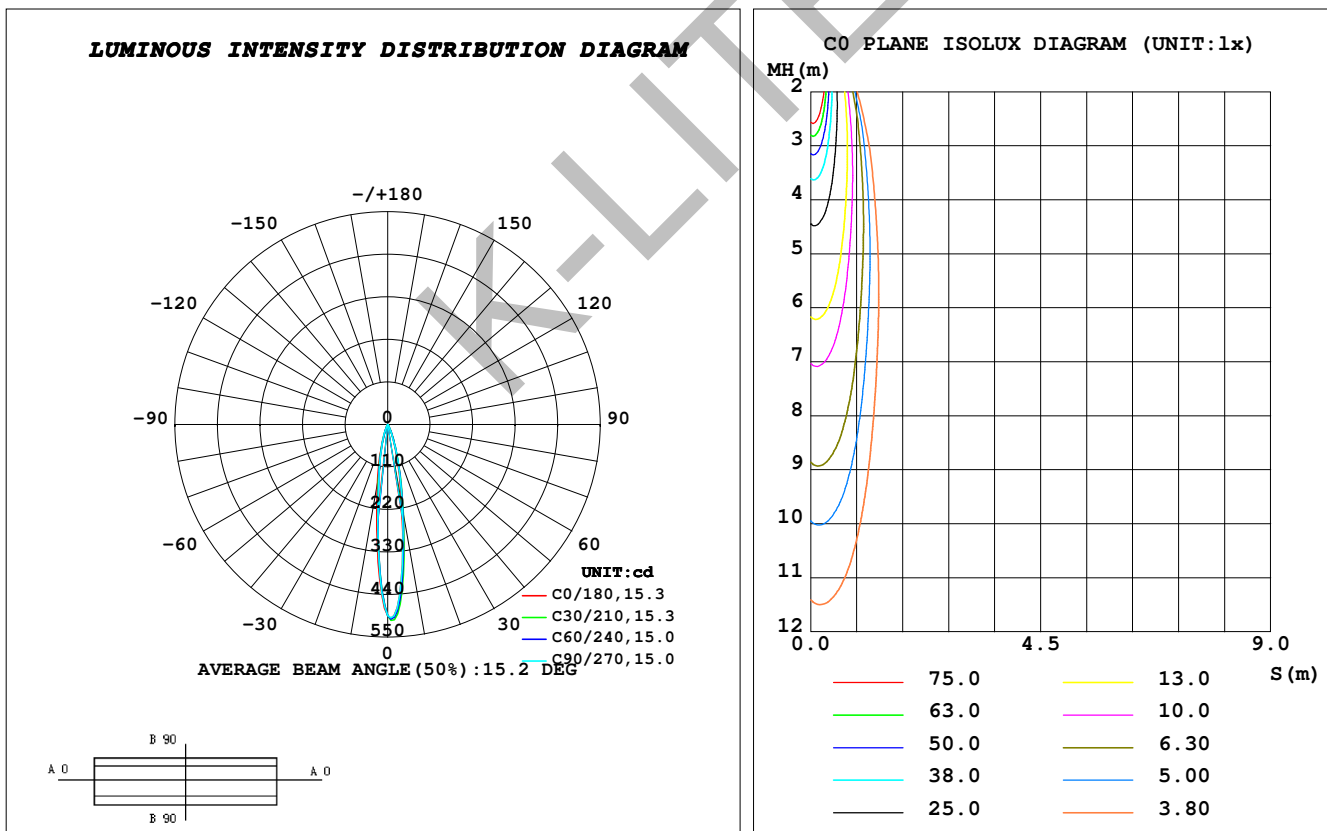


LUMINAIRE PHOTOMETRIC TEST REPORT

Test:U:230.73V I:0.0079A P:1.7238W PF:0.9487 Freq:49.99Hz Lamp Flux:132x1 lm		
NAME: NEBULA NANO	TYPE:LANDSCAPE LUMINAIRES	WEIGHT:
SPEC.:WW, NICHIA, BA-8°	DIM.: Ø42 x 73	SERIAL No.:4807
MFR.: K-LITE	SUR.:	Shielding Angle:

DATA OF LAMP		PHOTOMETRIC DATA			
MODEL	KL-4276	Imax (cd)	506.4	S/MH (C0/180)	0.23
NOMINAL POWER (W)	1	LOR (%)	47.5	S/MH (C90/270)	0.21
RATED VOLTAGE (V)	230	TOTAL FLUX (lm)	62.698	η UP, DN (C0-180)	0.0, 27.1
NOMINAL FLUX (lm)	132	CIE CLASS	DIRECT	η UP, DN (C180-360)	0.0, 20.4
LAMPS INSIDE	1	η up (%)	0.0	CIBSE SHR NOM	0.00
TEST VOLTAGE (V)	230	η down (%)	47.5	CIBSE SHR MAX	1.00



C Range: 0 - 360DEG
C Interval: 10.0DEG
Test Speed: HIGH
Temperature: 25.3DEG
Operators: K-LITE
Test Date: 19 August 2022

γ Range: 0 - 90DEG
γ Interval: 1.0DEG
Test System: EVERFINE GO-R5000_V2 SYSTEM V2.00.417
Humidity: 65.0%
Test Distance: 1.852m [K=1.0000]
Remarks: