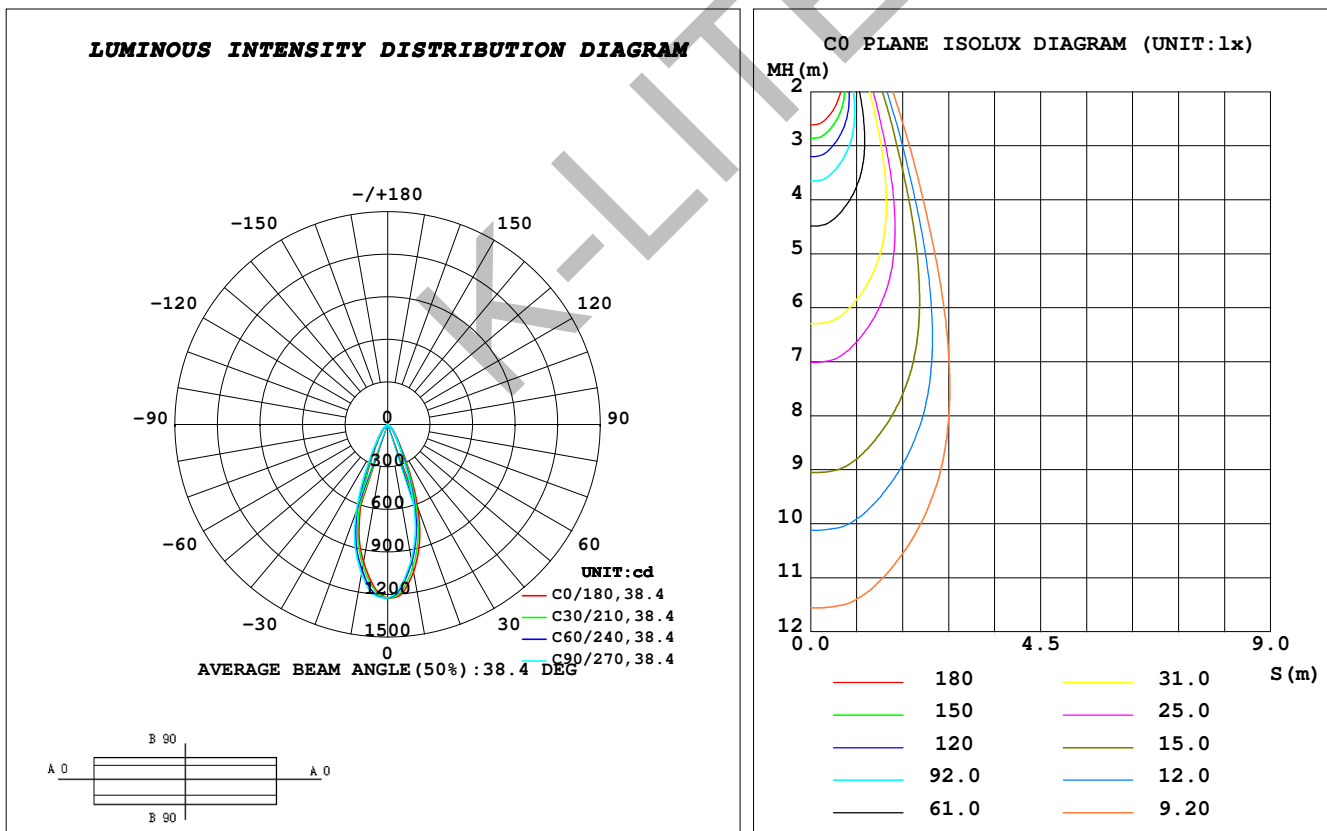


## LUMINAIRE PHOTOMETRIC TEST REPORT

Test:U:230.46V I:0.0308A P:6.7748W PF:0.9542 Freq:49.99Hz Lamp Flux:902x1 lm		
NAME: WALL CYLIN MINI	TYPE:WALL LUMINAIRES	WEIGHT:
SPEC.:WW, CITIZEN	DIM.: 145 x 100 x 150	SERIAL No.:4501
MFR.: K-LITE	SUR.:	Shielding Angle:40°

DATA OF LAMP		PHOTOMETRIC DATA			
MODEL	KL-7897	Imax (cd)	1228	S/MH (C0/180)	0.59
NOMINAL POWER (W)	6	LOR (%)	65.3	S/MH (C90/270)	0.64
RATED VOLTAGE (V)	230	TOTAL FLUX (lm)	589.23	η UP, DN (C0-180)	0.0, 30.4
NOMINAL FLUX (lm)	902	CIE CLASS	DIRECT	η UP, DN (C180-360)	0.0, 34.9
LAMPS INSIDE	1	η up (%)	0.0	CIBSE SHR NOM	0.50
TEST VOLTAGE (V)	230	η down (%)	65.3	CIBSE SHR MAX	0.60



**C Range: 0 - 360DEG**  
**C Interval: 10.0DEG**  
**Test Speed: HIGH**  
**Temperature: 25.3DEG**  
**Operators: K-LITE**  
**Test Date: 30 April 2022**

**γ Range: 0 - 90DEG**  
**γ Interval: 1.0DEG**  
**Test System: EVERFINE GO-R5000\_V2 SYSTEM V2.00.417**  
**Humidity: 65.0%**  
**Test Distance: 1.825m [K=1.0000]**  
**Remarks:**