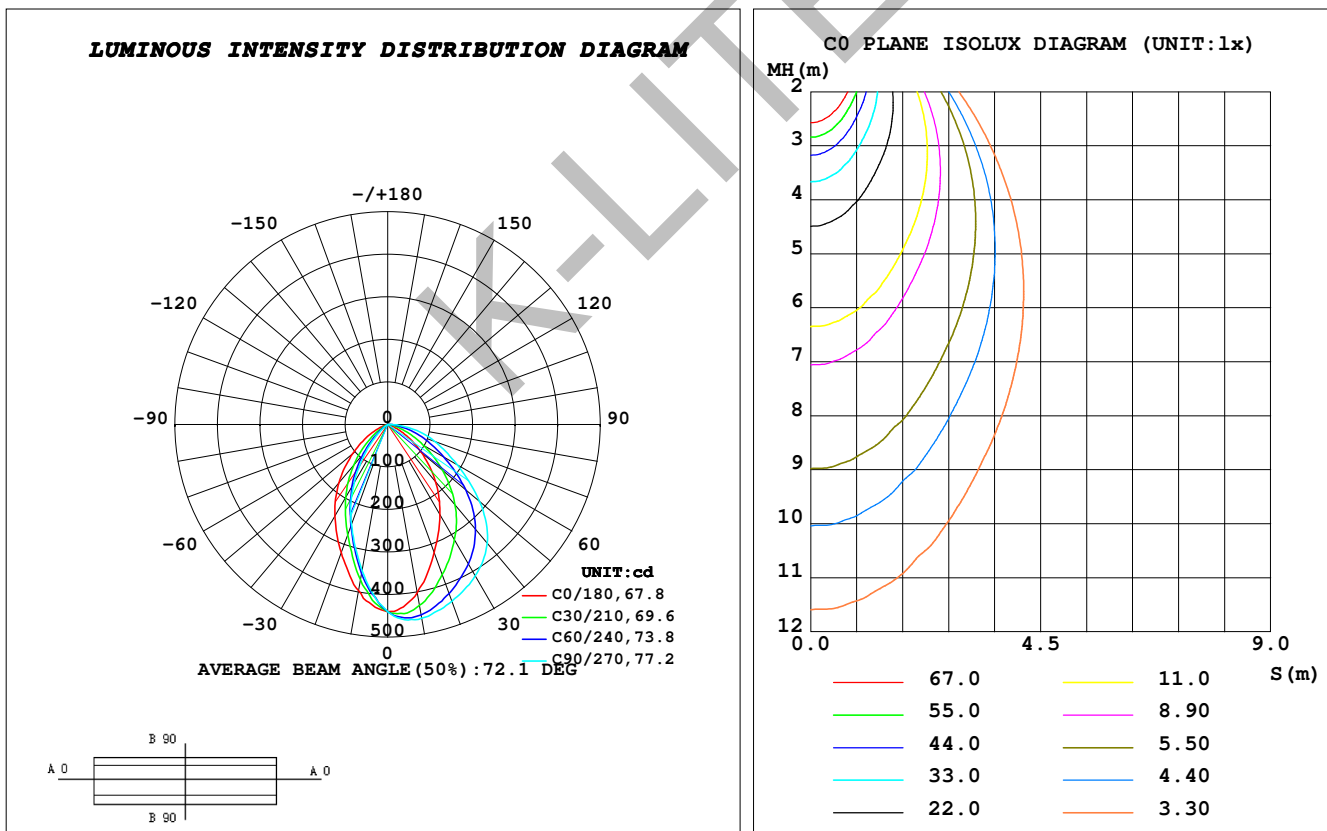


LUMINAIRE PHOTOMETRIC TEST REPORT

Test:U:230.51V I:0.0594A P:12.517W PF:0.9140 Freq:50.00Hz Lamp Flux:1415x1 lm		
NAME: MILA	TYPE: RECESSED CEILING	WEIGHT:
SPEC.: WW, CITIZEN	DIM.: Ø85 x 72	SERIAL No.: 4455
MFR.: K-LITE	SUR.:	Shielding Angle: 75°

DATA OF LAMP		PHOTOMETRIC DATA			
MODEL	KL-3332	Imax (cd)	464.0	S/MH (C0/180)	0.90
NOMINAL POWER (W)	12	LOR (%)	50.3	S/MH (C90/270)	0.68
RATED VOLTAGE (V)	230	TOTAL FLUX (lm)	711.76	η UP, DN (C0-180)	0.0, 35.8
NOMINAL FLUX (lm)	1415	CIE CLASS	DIRECT	η UP, DN (C180-360)	0.0, 14.5
LAMPS INSIDE	1	η up (%)	0.0	CIBSE SHR NOM	1.00
TEST VOLTAGE (V)	230	η down (%)	50.3	CIBSE SHR MAX	1.10



C Range: 0 - 360DEG
C Interval: 10.0DEG
Test Speed: HIGH
Temperature: 25.3DEG
Operators: K-LITE
Test Date: 23 April 2022

γ Range: 0 - 90DEG
γ Interval: 1.0DEG
Test System: EVERFINE GO-R5000_V2 SYSTEM V2.00.417
Humidity: 65.0%
Test Distance: 1.825m [K=1.0000]
Remarks: