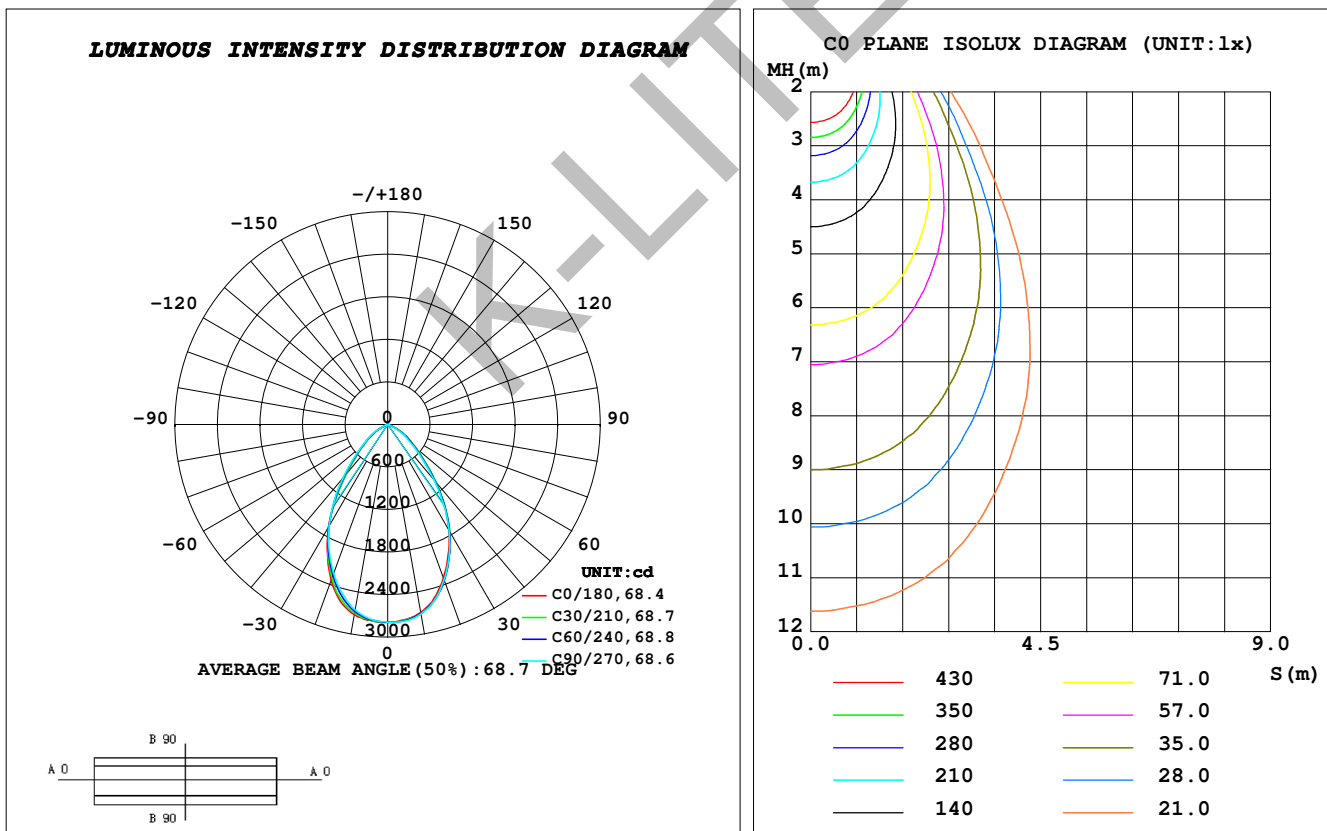


### LUMINAIRE PHOTOMETRIC TEST REPORT

|   |                           |                             |
|---|---------------------------|-----------------------------|
| Test:U:230.54V I:0.1421A P:32.055W PF:0.9788 Freq:49.99Hz Lamp Flux:4425x1 lm |                           |                             |
| NAME: DYNASTY MIDI  | TYPE:POLE MOUNTED SYSTEMS | WEIGHT:                     |
| SPEC.:NW, LUMILED   | DIM.: Sq.325 x 545        | SERIAL No.:4422             |
| MFR.: K-LITE  | SUR.:                     | Shielding Angle:SYMMETRICAL |

| DATA OF LAMP      |         | PHOTOMETRIC DATA |        |                     |           |
|-------------------|---------|------------------|--------|---------------------|-----------|
| MODEL             | KL-4509 | Imax (cd)        | 2799   | S/MH (C0/180)       | 0.99      |
| NOMINAL POWER (W) | 30      | LOR (%)          | 83.4   | S/MH (C90/270)      | 0.97      |
| RATED VOLTAGE (V) | 230     | TOTAL FLUX (lm)  | 3689.5 | η UP, DN (C0-180)   | 0.0, 42.3 |
| NOMINAL FLUX (lm) | 4425    | CIE CLASS        | DIRECT | η UP, DN (C180-360) | 0.0, 41.1 |
| LAMPS INSIDE      | 1       | η up (%)         | 0.0    | CIBSE SHR NOM       | 1.00      |
| TEST VOLTAGE (V)  | 230     | η down (%)       | 83.4   | CIBSE SHR MAX       | 1.05      |



**C Range: 0 - 360DEG**  
**C Interval: 10.0DEG**  
**Test Speed: HIGH**  
**Temperature: 25.3DEG**  
**Operators: K-LITE**  
**Test Date: 12 April 2022**

**γ Range: 0 - 90DEG**  
**γ Interval: 1.0DEG**  
**Test System: EVERFINE GO-R5000\_V2 SYSTEM V2.00.417**  
**Humidity: 65.0%**  
**Test Distance: 1.825m [K=1.0000]**  
**Remarks:**