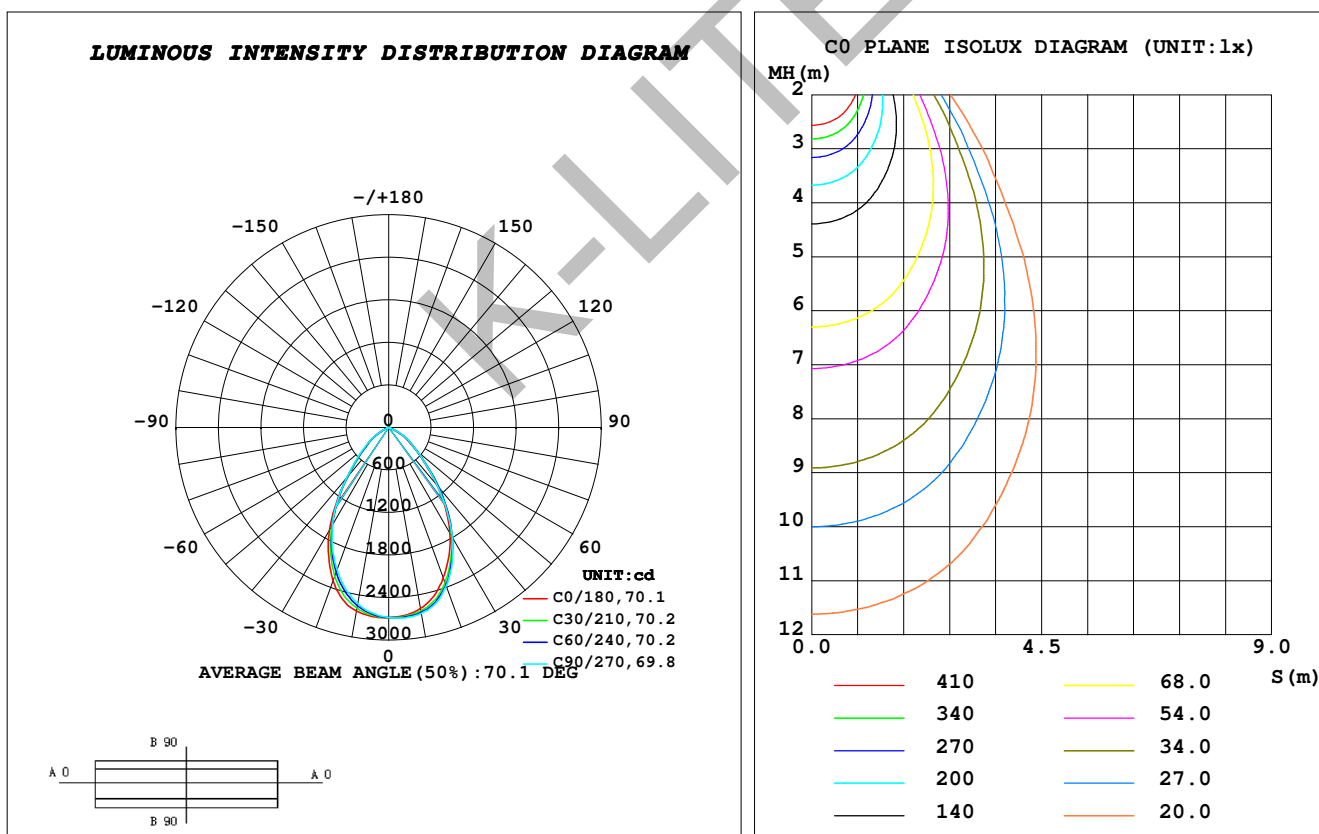


LUMINAIRE PHOTOMETRIC TEST REPORT

Test:U:230.53V I:0.1408A P:31.737W PF:0.9777 Freq:49.99Hz Lamp Flux:4425x1 lm		
NAME: DYNASTY MIDI	TYPE:POLE MOUNTED SYSTEMS	WEIGHT:
SPEC.:CW, LUMILED	DIM.: Sq.325 x 545	SERIAL No.:4421
MFR.: K-LITE	SUR.:	Shielding Angle:SYMMETRICAL

DATA OF LAMP		PHOTOMETRIC DATA			
MODEL	KL-4509	Imax (cd)	2701	S/MH (C0/180)	1.01
NOMINAL POWER (W)	30	LOR (%)	82.7	S/MH (C90/270)	0.97
RATED VOLTAGE (V)	230	TOTAL FLUX (lm)	3658.4	η UP, DN (C0-180)	0.0, 43.2
NOMINAL FLUX (lm)	4425	CIE CLASS	DIRECT	η UP, DN (C180-360)	0.0, 39.5
LAMPS INSIDE	1	η up (%)	0.0	CIBSE SHR NOM	1.00
TEST VOLTAGE (V)	230	η down (%)	82.7	CIBSE SHR MAX	1.05



C Range: 0 - 360DEG
C Interval: 10.0DEG
Test Speed: HIGH
Temperature: 25.3DEG
Operators: K-LITE
Test Date: 12 April 2022

γ Range: 0 - 90DEG
γ Interval: 1.0DEG
Test System: EVERFINE GO-R5000_V2 SYSTEM V2.00.417
Humidity: 65.0%
Test Distance: 1.825m [K=1.0000]
Remarks: