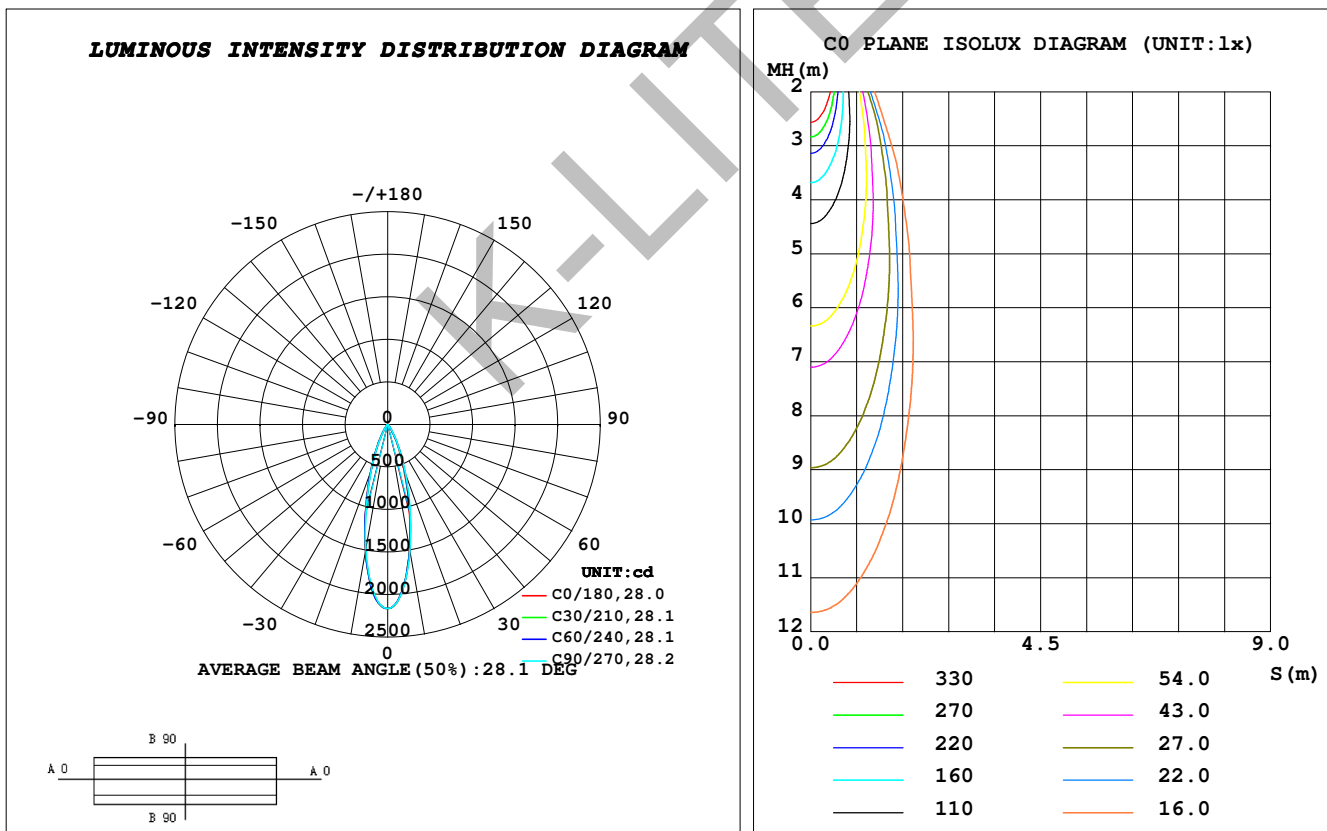


LUMINAIRE PHOTOMETRIC TEST REPORT

| | | |
|---------------------------------------------------------------------------------|-------------------------|---------------------|
| Test:U:230.46V I:0.0442A P:9.9442W PF:0.9755 Freq:50.00Hz Lamp Flux:1146.6x1 lm | | |
| NAME: PROXIMA | TYPE:CEILING LUMINAIRES | WEIGHT: |
| SPEC.:WW, CITIZEN | DIM.: Ø50 x 135 x 177 | SERIAL No.:1372 |
| MFR.: K-LITE | SUR.: | Shielding Angle:24° |

| DATA OF LAMP | | PHOTOMETRIC DATA | | | |
|-------------------|---------|------------------|--------|---------------------|-----------|
| MODEL | KL-3677 | Imax (cd) | 2165 | S/MH (C0/180) | 0.47 |
| NOMINAL POWER (W) | 12 | LOR (%) | 57.6 | S/MH (C90/270) | 0.46 |
| RATED VOLTAGE (V) | 230 | TOTAL FLUX (lm) | 660.69 | η UP, DN (C0-180) | 0.0, 29.3 |
| NOMINAL FLUX (lm) | 1146.6 | CIE CLASS | DIRECT | η UP, DN (C180-360) | 0.0, 28.3 |
| LAMPS INSIDE | 1 | η up (%) | 0.0 | CIBSE SHR NOM | 0.50 |
| TEST VOLTAGE (V) | 230 | η down (%) | 57.6 | CIBSE SHR MAX | 0.50 |



C Range: 0 - 360DEG
C Interval: 10.0DEG
Test Speed: HIGH
Temperature: 25.3DEG
Operators: K-LITE
Test Date: 06 June 2020

γ Range: 0 - 90DEG
γ Interval: 1.0DEG
Test System: EVERFINE GO-R5000_V2 SYSTEM V2.00.417
Humidity: 65.0%
Test Distance: 1.825m [K=1.0000]
Remarks: