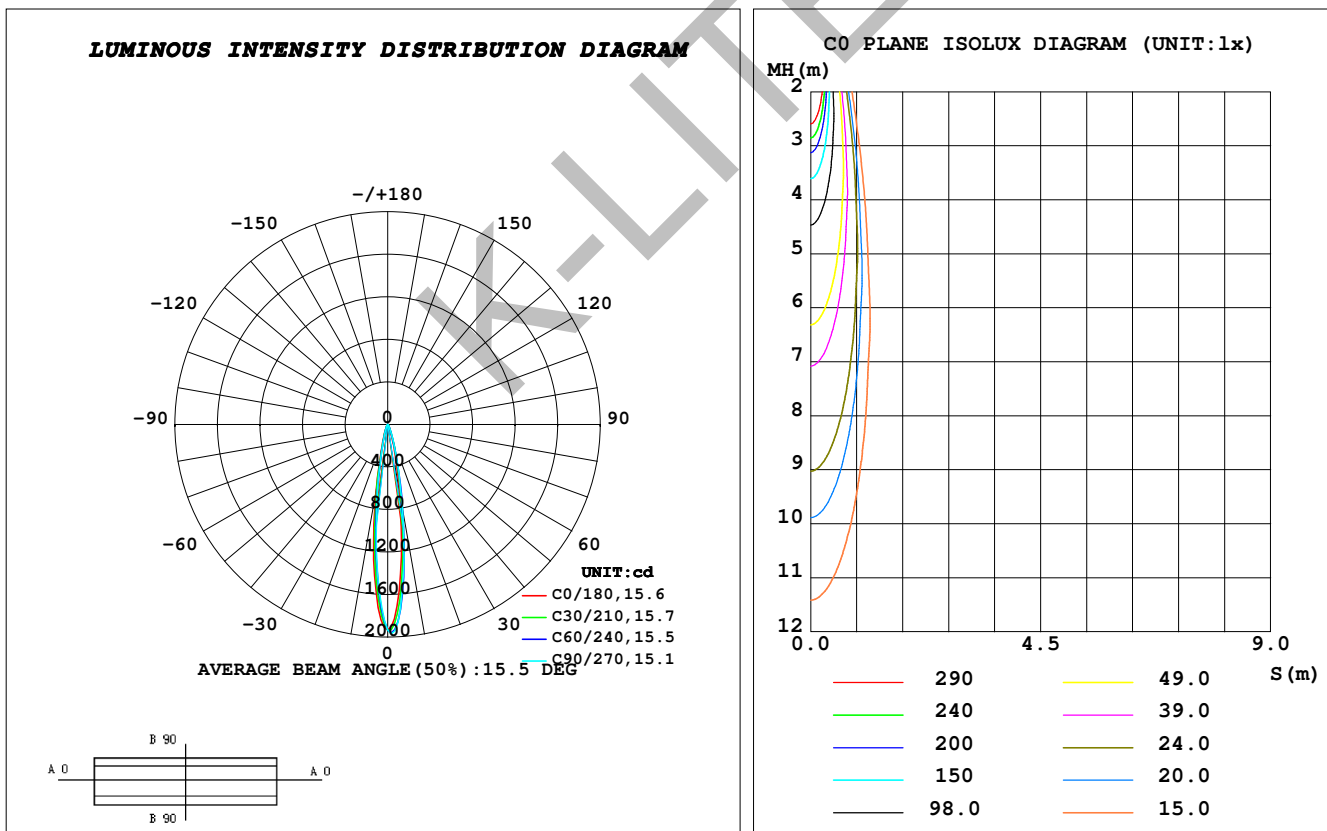


LUMINAIRE PHOTOMETRIC TEST REPORT

Test:U:230.69V I:0.0268A P:2.7916W PF:0.4520 Freq:49.99Hz Lamp Flux:293x1 lm		
NAME: NEBULA MICRO - BRACKET	TYPE:LANDSCAPE LUMINAIRES	WEIGHT:
SPEC.:NW, NICHIA, BA-12°	DIM.: 93 x 64 x 83	SERIAL No.:4791
MFR.: K-LITE	SUR.:	Shielding Angle:

DATA OF LAMP		PHOTOMETRIC DATA			
MODEL	KL-4264	Imax (cd)	1969	S/MH (C0/180)	0.27
NOMINAL POWER (W)	3	LOR (%)	79.6	S/MH (C90/270)	0.22
RATED VOLTAGE (V)	230	TOTAL FLUX (lm)	233.14	η UP, DN (C0-180)	0.0, 44.1
NOMINAL FLUX (lm)	293	CIE CLASS	DIRECT	η UP, DN (C180-360)	0.0, 35.5
LAMPS INSIDE	1	η up (%)	0.0	CIBSE SHR NOM	0.00
TEST VOLTAGE (V)	230	η down (%)	79.6	CIBSE SHR MAX	1.00



C Range: 0 - 360DEG
C Interval: 10.0DEG
Test Speed: HIGH
Temperature: 25.3DEG
Operators: K-LITE
Test Date: 17 August 2022

γ Range: 0 - 90DEG
γ Interval: 1.0DEG
Test System: EVERFINE GO-R5000_V2 SYSTEM V2.00.417
Humidity: 65.0%
Test Distance: 1.852m [K=1.0000]
Remarks: