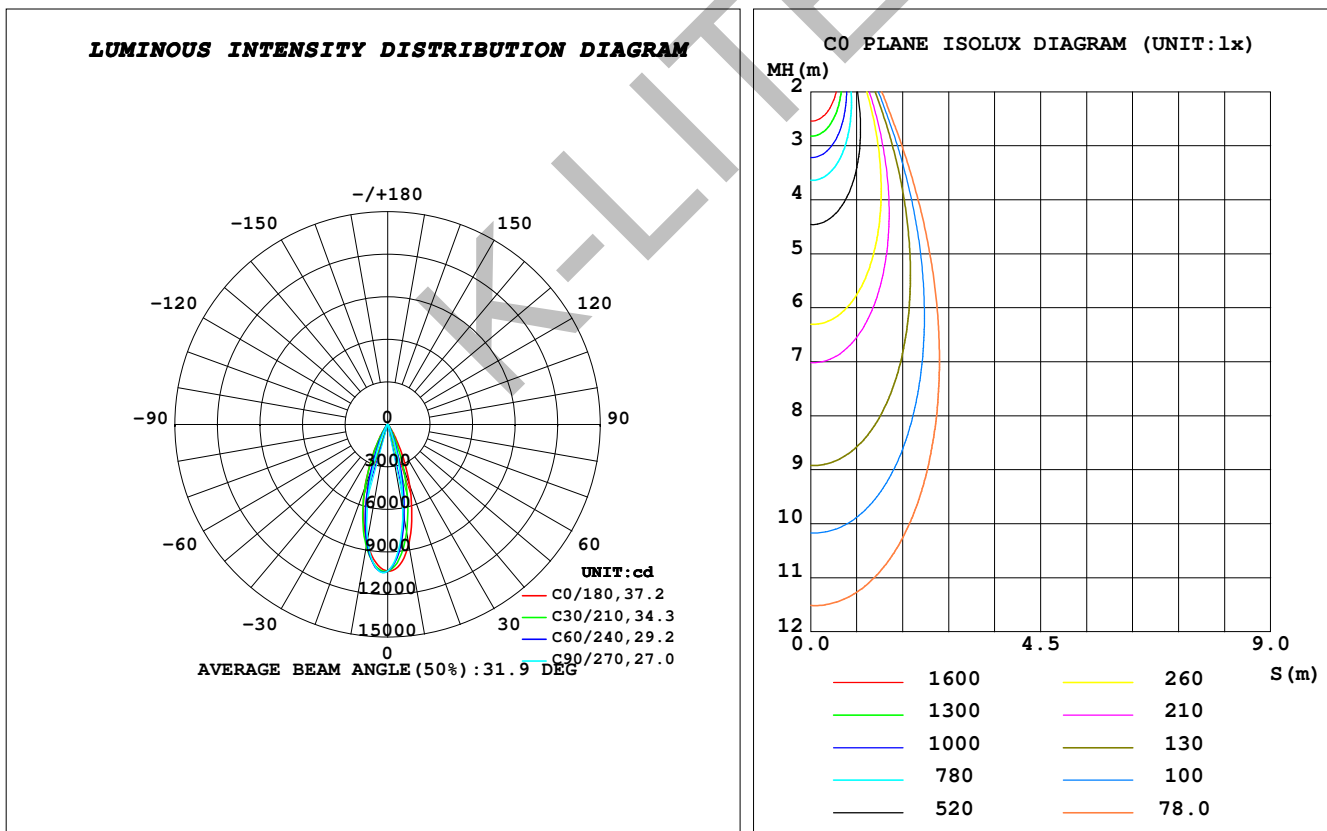


LUMINAIRE PHOTOMETRIC TEST REPORT

Test:U:230.31V I:0.4687A P:41.346W PF:0.3830 Freq:49.99Hz Lamp Flux:6602.8x1 lm		
NAME: WALL WASHER	TYPE:LINEAR IN-GROUND	WEIGHT:
SPEC.:NW, NICHIA	DIM.: 1025 x 68 x 83	SERIAL No.:1529
MFR.: K-LITE	SUR.:	Shielding Angle:

DATA OF LAMP		PHOTOMETRIC DATA			
MODEL	KL-3272	Imax (cd)	10475	S/MH (C0/180)	0.61
NOMINAL POWER (W)	48	LOR (%)	54.6	S/MH (C90/270)	0.50
RATED VOLTAGE (V)	230	TOTAL FLUX (lm)	3602.4	η UP, DN (C0-180)	0.0, 23.7
NOMINAL FLUX (lm)	6602.8	CIE CLASS	DIRECT	η UP, DN (C180-360)	0.0, 30.8
LAMPS INSIDE	1	η up (%)	0.0	CIBSE SHR NOM	0.50
TEST VOLTAGE (V)	230	η down (%)	54.6	CIBSE SHR MAX	0.50



C Range: 0 - 360DEG
 C Interval: 10.0DEG
 Test Speed: HIGH
 Temperature: 25.3DEG
 Operators: K-LITE
 Test Date: 21 July 2020

γ Range: 0 - 90DEG
 γ Interval: 1.0DEG
 Test System: EVERFINE GO-R5000_V2 SYSTEM V2.00.417
 Humidity: 65.0%
 Test Distance: 1.825m [K=1.0000]
 Remarks: