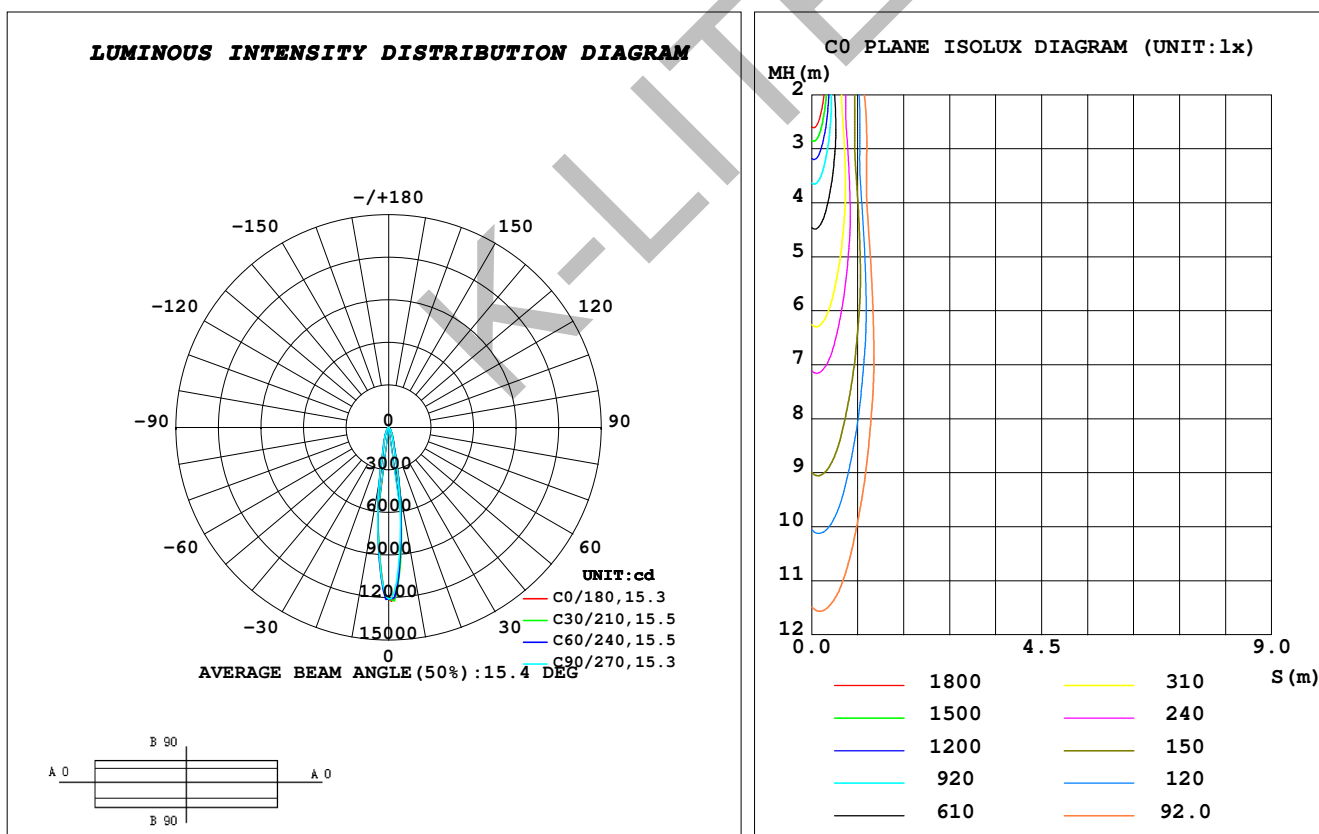


LUMINAIRE PHOTOMETRIC TEST REPORT

Test:U:230.68V I:0.0765A P:17.272W PF:0.9784 Freq:50.00Hz Lamp Flux:2234x1 lm		
NAME: CYLIN MINI	TYPE:CEILING LUMINAIRES	WEIGHT:
SPEC.:WW, CITIZEN, BA-15°	DIM.: Ø100 x 150	SERIAL No.:4889
MFR.: K-LITE	SUR.:	Shielding Angle:

DATA OF LAMP		PHOTOMETRIC DATA			
MODEL	KL-4082	Imax (cd)	12266	S/MH (C0/180)	0.25
NOMINAL POWER (W)	18	LOR (%)	75.5	S/MH (C90/270)	0.26
RATED VOLTAGE (V)	230	TOTAL FLUX (lm)	1687.0	η UP, DN (C0-180)	0.0, 38.5
NOMINAL FLUX (lm)	2234	CIE CLASS	DIRECT	η UP, DN (C180-360)	0.0, 37.0
LAMPS INSIDE	1	η up (%)	0.0	CIBSE SHR NOM	0.00
TEST VOLTAGE (V)	230	η down (%)	75.5	CIBSE SHR MAX	1.00



C Range: 0 - 360DEG
C Interval: 10.0DEG
Test Speed: HIGH
Temperature: 25.3DEG
Operators: K-LITE
Test Date: 06 September 2022

γ Range: 0 - 90DEG
γ Interval: 1.0DEG
Test System: EVERFINE GO-R5000_V2 SYSTEM V2.00.417
Humidity: 65.0%
Test Distance: 1.852m [K=1.0000]
Remarks: