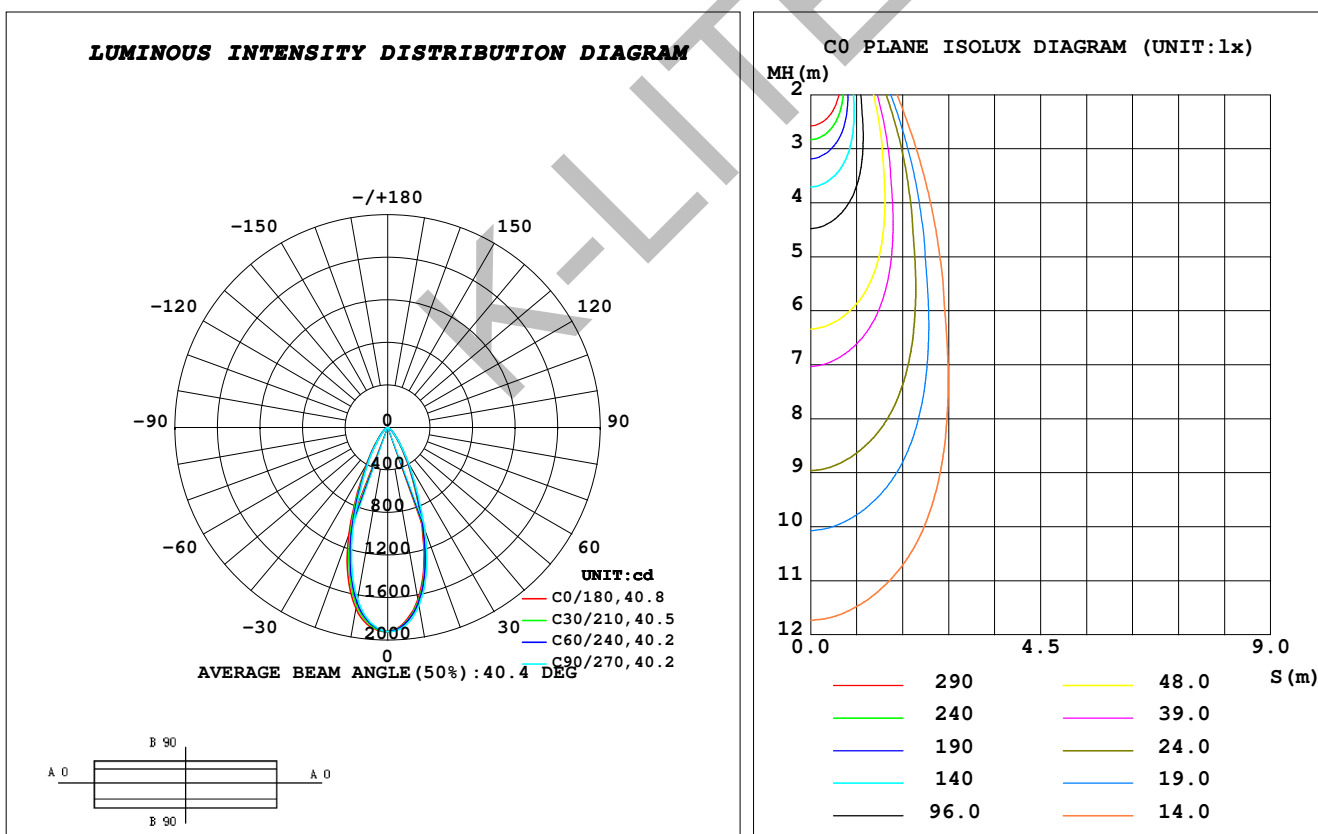


LUMINAIRE PHOTOMETRIC TEST REPORT

Test:U:230.58V I:0.0548A P:12.121W PF:0.9596 Freq:49.99Hz Lamp Flux:1325x1 lm		
NAME: NEBULA MIDI - BRACKET	TYPE:LANDSCAPE LUMINAIRES	WEIGHT:
SPEC.:WW, CITIZEN, BA-40°	DIM.: 113 x 84 x 117	SERIAL No.:4780
MFR.: K-LITE	SUR.:	Shielding Angle:

DATA OF LAMP		PHOTOMETRIC DATA			
MODEL	KL-4268	Imax (cd)	1923	S/MH (C0/180)	0.67
NOMINAL POWER (W)	12	LOR (%)	81.6	S/MH (C90/270)	0.63
RATED VOLTAGE (V)	230	TOTAL FLUX (lm)	1081.3	η UP, DN (C0-180)	0.0, 41.8
NOMINAL FLUX (lm)	1325	CIE CLASS	DIRECT	η UP, DN (C180-360)	0.0, 39.8
LAMPS INSIDE	1	η up (%)	0.0	CIBSE SHR NOM	0.50
TEST VOLTAGE (V)	230	η down (%)	81.6	CIBSE SHR MAX	0.65



C Range: 0 - 360DEG
C Interval: 10.0DEG
Test Speed: HIGH
Temperature: 25.3DEG
Operators: K-LITE
Test Date: 14 August 2022

γ Range: 0 - 90DEG
γ Interval: 1.0DEG
Test System: EVERFINE GO-R5000_V2 SYSTEM V2.00.417
Humidity: 65.0%
Test Distance: 1.852m [K=1.0000]
Remarks: