

DWG. No. : KL-DFD-114  
SHEET No. : 1 OF 1

ALL DIMENSIONS ARE IN mm

F

F

E

E

D

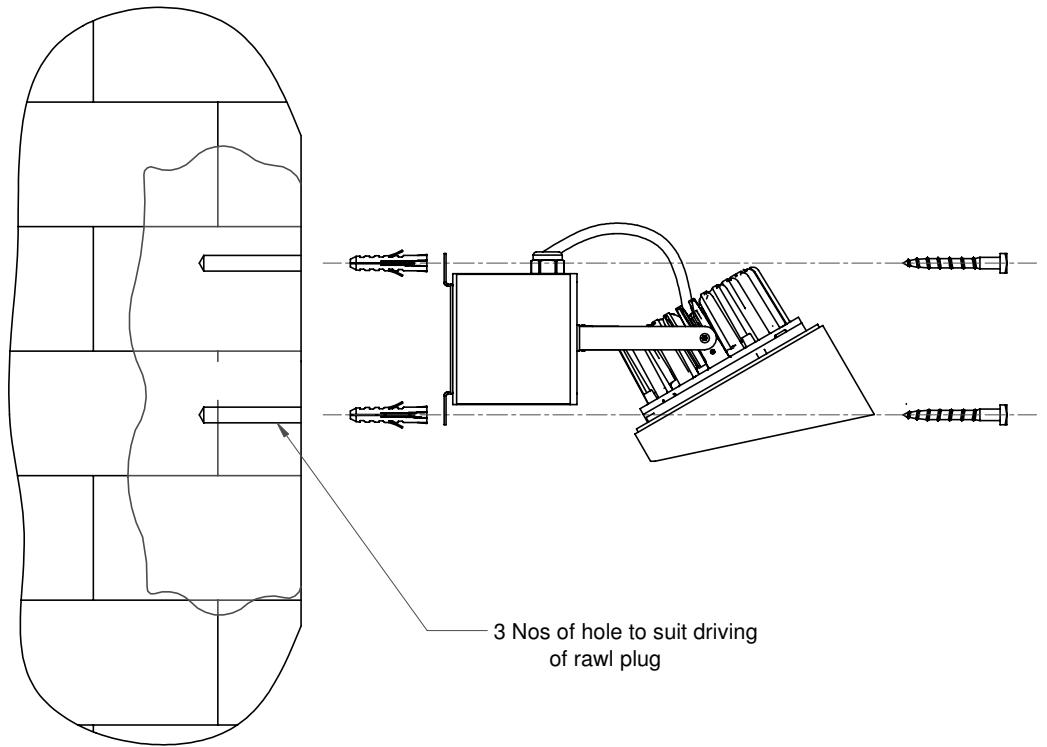
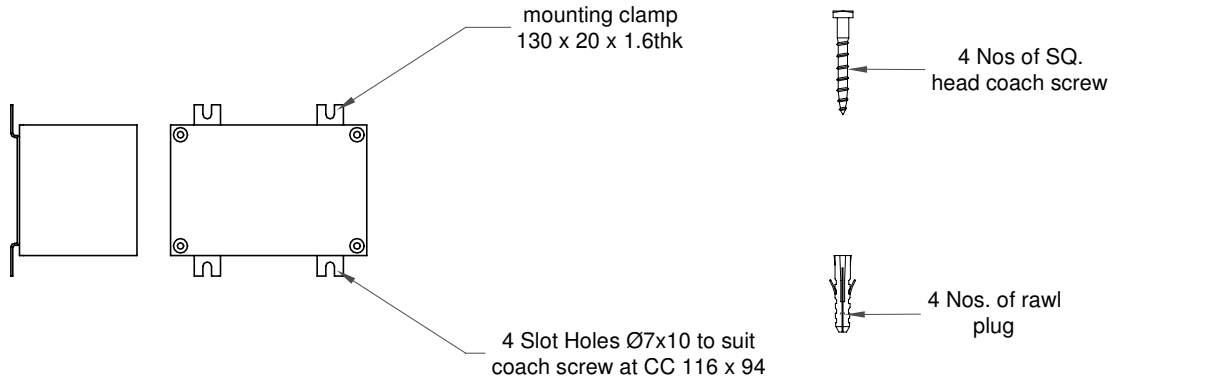
D

C

C

B

B



**NOTE:**

- 1. Coach screws and rawl plugs are not included in the scope of supply.

REV. No.	REVISION DETAILS	DATE	REVISED	CHD	APPD

DRAWN KAMAL	CHECKED	APPROVED	DATE 25-09-2023	SCALE 1 : 6	MATERIAL -	Z:\K - LITE\006.FOUNDATION DETAILS\KL-DFD-114 (W39)\KL-DFD-114 (W39),REV 00.dwg
----------------	---------	----------	--------------------	----------------	---------------	---

	<b>K-LITE INDUSTRIES</b> CHENNAI-600 058	<b>DETAILED MOUNTING DRAWING FOR W39 WALL BRACKET</b>			
			DRG. NO. <b>KL-DFD-114</b>	REV 00	SHEET 1 OF 1

A

A